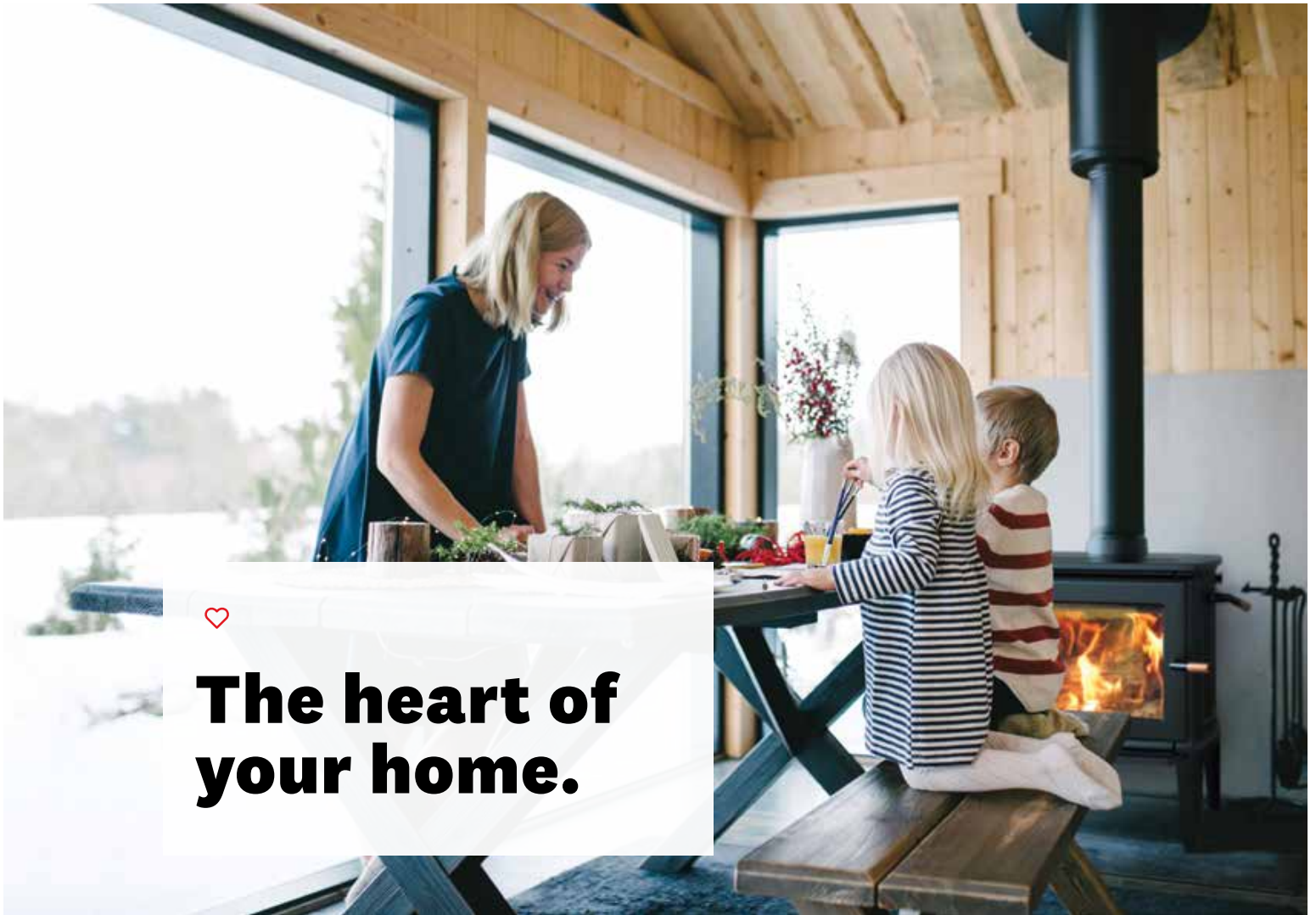




 **hearthstone**[®]

The heart of your home.



The heart of your home.

A heritage of craftsmanship . . . 3

Sustainable Green Energy . . . 4

The Soapstone Family

Lincoln 6
 Castleton 8
 Heritage 10
 Mansfield 12

The Traditions Family

Craftsbury 14
 Shelburne 16
 Manchester 18

The Green Mountain Family

GM40 20
 GM60 22
 GM80 24

The HASE family

Bari 26
 Bari Plus 28

Wood Fireplace Inserts

Clydesdale 30
 GMI 90 32
 GMI 70 34

Wood ZC Fireplaces

WFP 75 36
 WFP 100 38

Wood Cook Stove

Deva 40

The Gas Family

Bristol 42
 Waitsfield 44
 Stowe 46
 Champlain 48

Accessories 50

Specifications 55

A heritage of craftsmanship.

Located in Morrisville, Vermont, we know about keeping your home warm and comfortable in all seasons. For years, our dedicated Vermont craftsman have been committed to building quality stoves, handcrafting each HearthStone to meet the highest standards using the finest materials and the most advanced heating technology. As proof, every HearthStone soapstone stove is signed by the stove builder.



HearthStone



Sustainable green energy.

Install a new wood stove and save money.

Our vision statement has always reflected a dedication to environmental consciousness. The more efficient we can make our stoves burn, the better it is for our planet. Our wood stoves produce more heat from less wood while emitting less smoke, saving you money.

Our governments support efforts to improve air quality and lower emissions by offering special consumer tax credit, refunds, and exchange programs for installing efficient wood stoves.

We're proud to say that our products exceeded current program standards, and we are committed to keeping it that way.

Talk with your local dealer about the savings available on your purchase and installation of an eligible HearthStone wood stove.

Leaders in wood burning technology.

TruHybrid™

Our TruHybrid™ stoves burn cleanly and efficiently before and after you engage the catalyst.

Ultra Clean: The TruHybrid™ system combines primary and secondary combustion with tertiary combustion using a catalyst to take care of any unburned smoke particles and gases.

Uber-Efficient: The TruHybrid™ system burns clean even if you forget to engage the catalyst! Engage the catalyst to complete the combustion and get as much heat from your wood as possible.

heatlife™

Delivering long-lasting comfortable heat with the natural properties of soapstone, even after the fire begins to die.

HeatLife™ is HearthStone's way of measuring the total hours of usable heat from a single load of wood. Our soapstone lined fireboxes and soapstone walled stoves radiate a steady warmth as the fire continues to burn—delivering a longer lasting, more comfortable heat. This is what we call the "Comfort Zone" of heat, as it extends the warmth in the room beyond the heat of the initial fire. HeatLife™ will keep your room warm longer, using less wood.

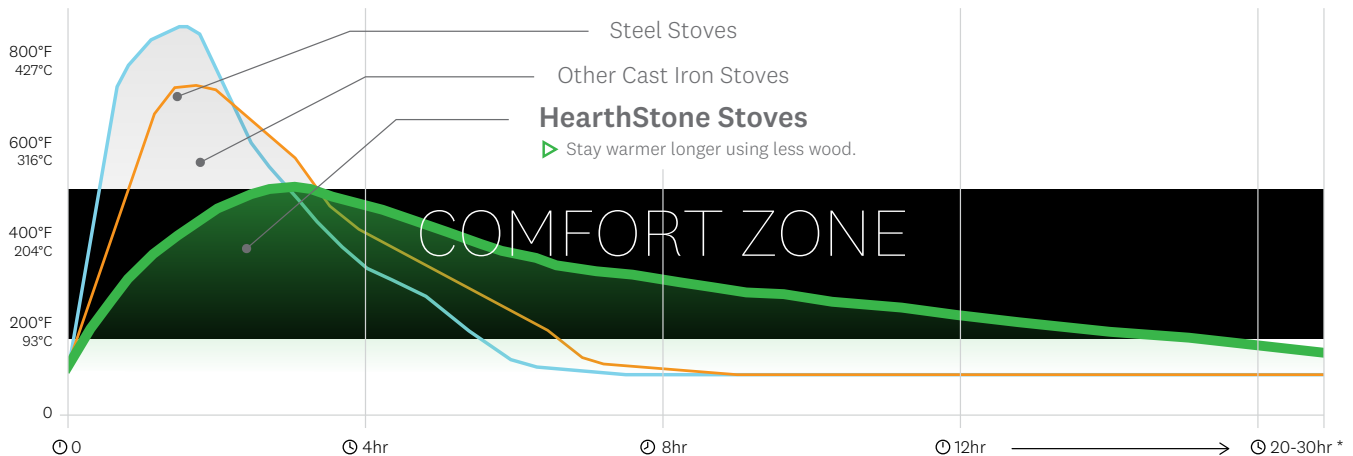


The cleanest wood burning products on the planet.

Wood is a renewable and sustainable resource that supports local communities. Heating with wood has a carbon neutral footprint when burned in a highly efficient HearthStone TruHybrid™ product. All of our wood burning products exceed 2020 EPA standards so you can be sure they burn clean today and for many years to come.

heatlife™

Long-Lasting Comfortable Heat



The HeatLife™ chart represents a single load of fuel burned under similar conditions.

* Burn times are dependent on the product model, installation, draft, wood type and moisture content, and air supply setting used.

The Soapstone Family

Lincoln

Wood Stove Model 8060

A perfect HearthStone log burner for small spaces.



Efficiency

78.5%

HHV



HeatLife™

9.5

Hours



EPA Certified

1.14

g/hr



Features

TruHybrid™ System

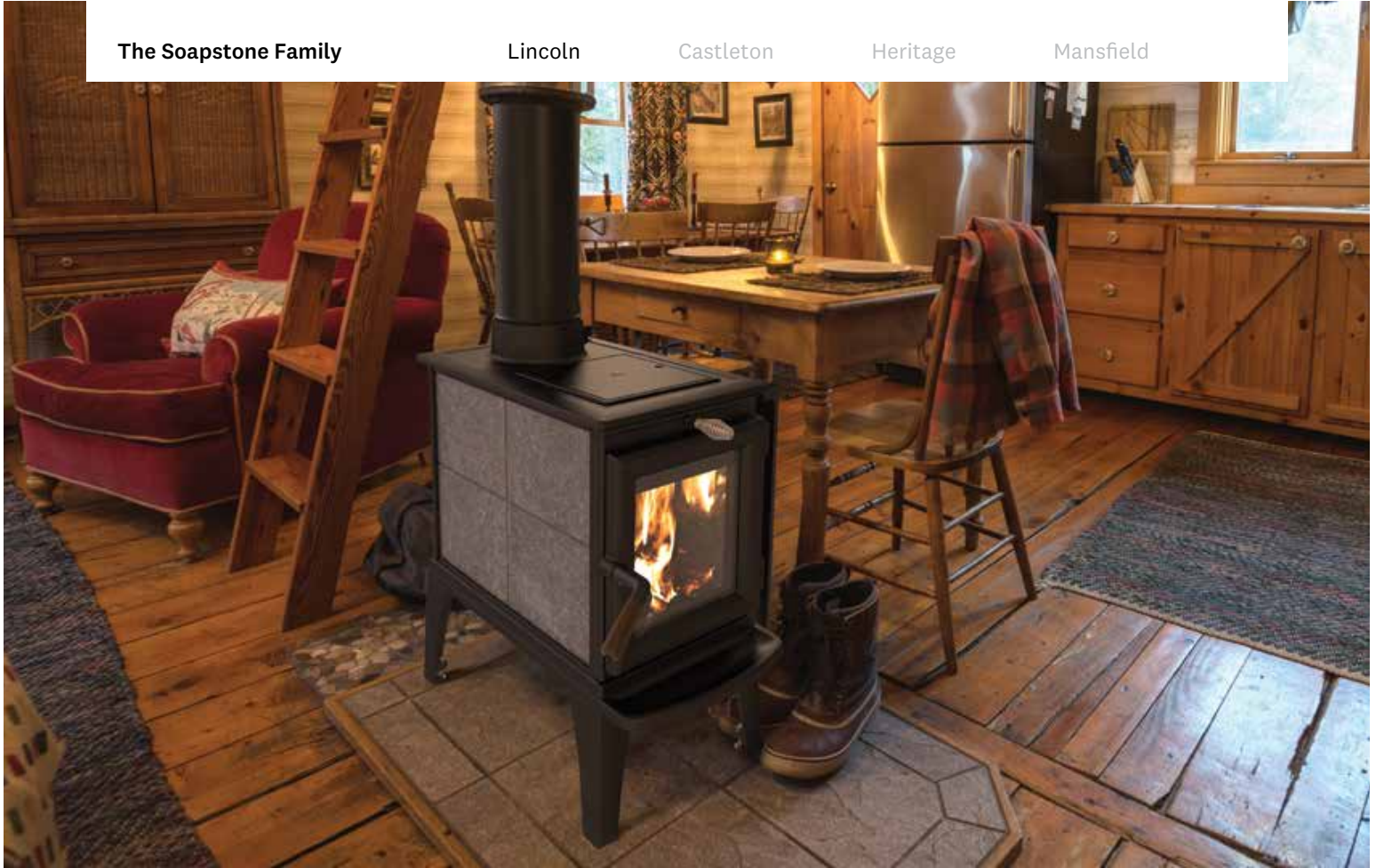
Technology so advanced, you can get up to a 30% tax credit (IRS 25C) for the entire installation!

Soapstone Comfort

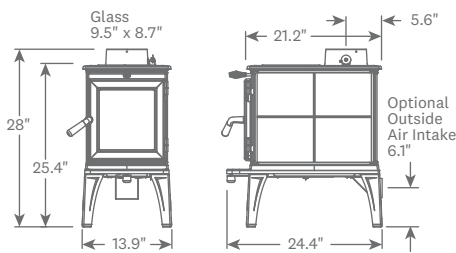
Full soapstone + cast iron construction offers comfortable, long-lasting heat and a lifetime of trouble free service.

Convenient Features

A square cook plate on the top of the stove is great for warming things up. It also provides easy access to the catalyst for servicing.



Dimensions



Finish Options



Matte Black

Clearances

These clearances require double-wall connector pipe

No heat shields

With side & rear heat shields*

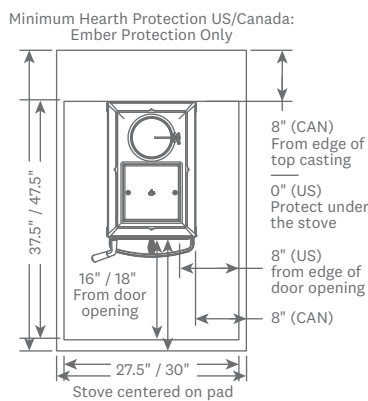
	Side	Rear	Corner
No heat shields	22"	9"	13.75"
With side & rear heat shields*	9"	3.5"	7.25"

* Heat shields can be applied independently to achieve the clearance listed for that specific heat shield.

Note: Reference your pipe manufacturer's clearances as well as local building codes to ensure a safe installation. Single-wall connector pipe generally requires 18 inches of clearance.

Note: All information is for reference only. Refer to the owner's manual for full specification and installation details.

Hearth Protection



Specifications

HHV Efficiency78.5%
HeatLife™*9.5 hours
EPA Certified1.14 g/hr
Heats up to575 sq ft
Firebox Capacity1.0 cu ft
BTUs/hrUp to 23,000
Maximum Log Length18", 16" recommended
Flue Exit & DiameterTop - 6"
Weight195 lbs

* Under the right conditions, you will be able to start a new fire with kindling up to the end of the product's HeatLife™.

Accessories

Rear Heat Shield90-68601
Side Heat Shield90-68605
Outside Air Starter Kit, 3"96-53400
Outside Air Increaser, 3" to 4"90-53308
Leather Safety Gloves90-99031
Stove Top Thermometer90-99120
Soapstone Steamer90-99112

* Refer to the owner's manual for rear exit requirements.

* Under the right conditions, you will be able to start a new fire with kindling up to the end of the product's HeatLife™.

The Soapstone Family

Castleton Wood Stove Model 8031

Clean and efficient with extra long burn times.



Efficiency

77.3%

HHV



HeatLife™

20

Hours



EPA Certified

0.98

g/hr



Features

TruHybrid™ System

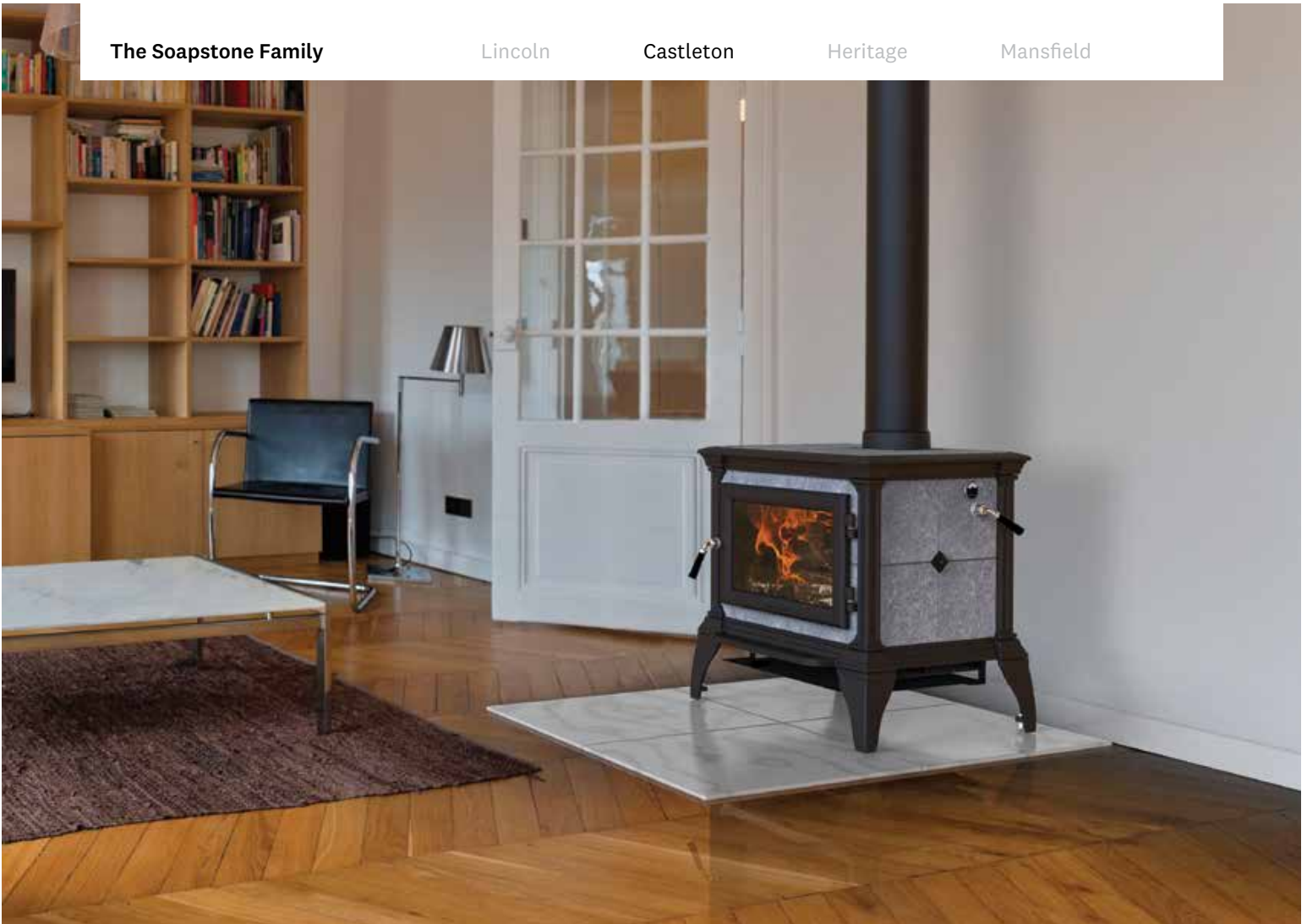
A 3-tube secondary combustion system with a fixed baffle ensure a clean burn before the catalyst performs the finishing touches.

Convenient Firebox

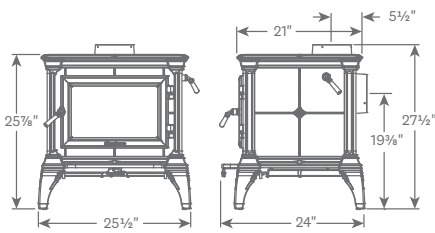
The square shape of the Castleton creates an 19" wide by 17" deep firebox. It is perfect for loading and arranging firewood.

Easy to Use

Control the stove with one lever. Turn your stove to high and stoke a big fire. Turn it all the way down to keep a fire burning overnight.



Dimensions



Clearances

Single-wall connector pipe no rear heat shield:

17" 15"* 8"
Side Rear Corner

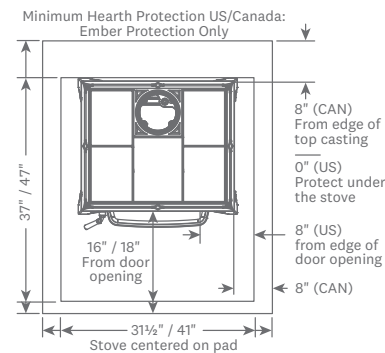
* Note: Reference your pipe manufacturer's clearances as well as local building codes to ensure a safe installation. Single-wall connector pipe generally requires 18 inches of clearance.

Double-wall connector pipe with rear heat shield:

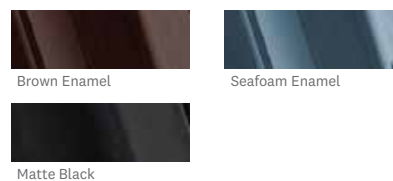
17" 8" 8"
Side Rear Corner

Note: All information is for reference only. Refer to the owner's manual for full specification and installation details.

Hearth Protection



Finish Options



Specifications

HHV Efficiency	77.3%
HeatLife™*	20 hours
EPA Certified	0.98 g/hr
Heats up to.....	1,500 sq ft
Firebox Capacity	1.9 cu ft
BTU.....	Up to 45,000
Maximum Log Length	18"
Flue Exit & Diameter.....	Top or Rear* - 6"
Weight	475 lbs

Accessories

Rear Heat Shield	90-68300
Convection Blower.....	90-57210
Outside Air Adapter.....	90-53300

* Refer to the owner's manual for rear exit requirements.
* Under the right conditions, you will be able to start a new fire with kindling up to the end of the product's HeatLife™.

The Soapstone Family

Heritage

Wood Stove Model 8024

Our cleanest burning stove, EPA certified at only 0.54 g/hr.



Efficiency

77%

HHV



HeatLife™

25

Hours



EPA Certified

0.54

g/hr



Features

TruHybrid™ Clean

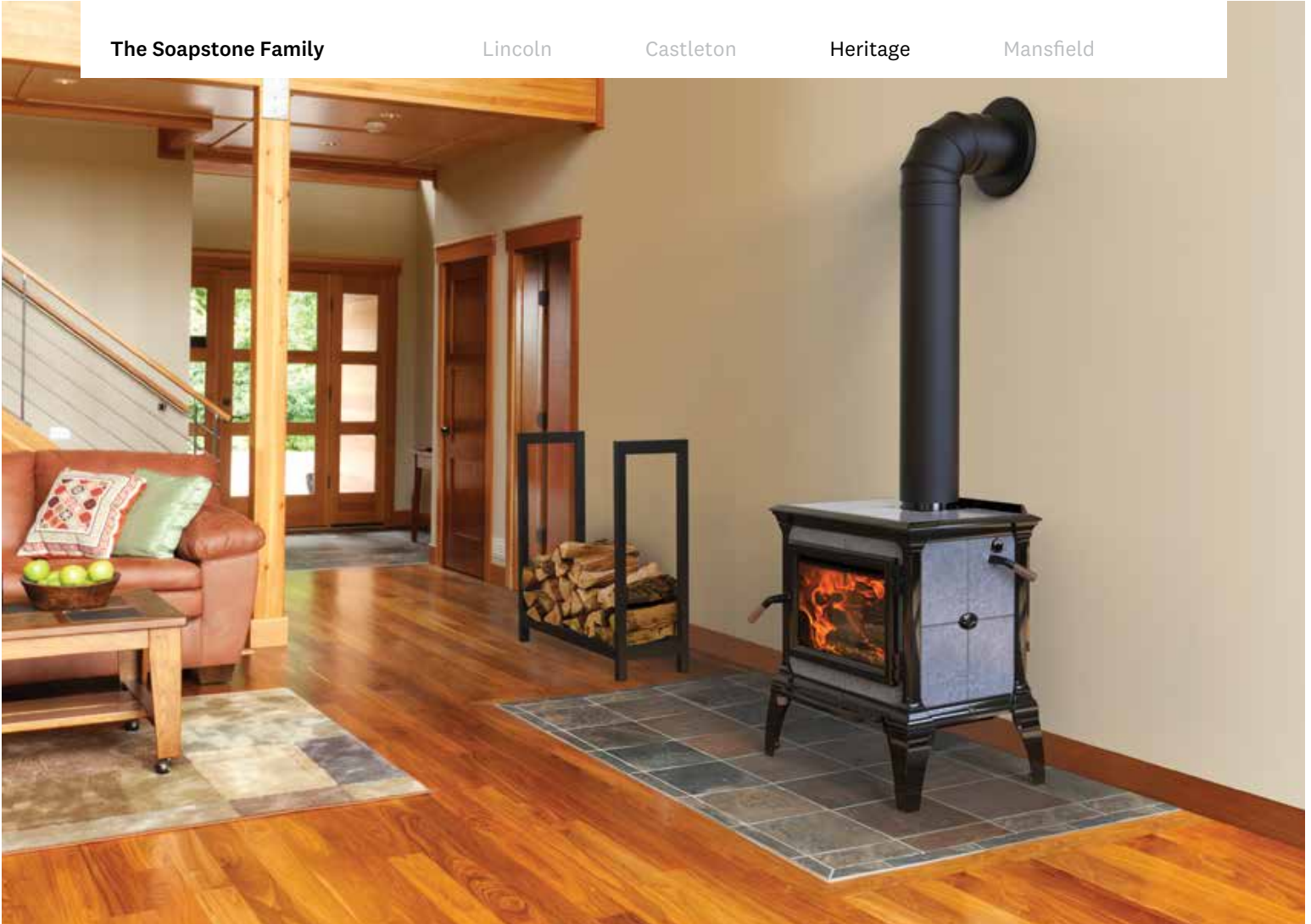
At only 0.54 g/hr of particulate emissions, the Heritage is our cleanest burning stove thanks to the TruHybrid system.

Convenient Features

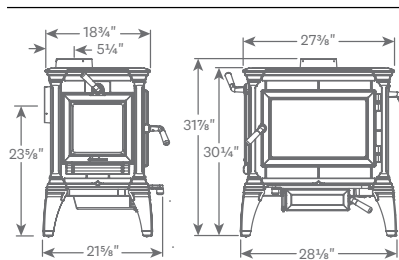
Load your fireplace through the side door and use the optional ash pan to help keep your hearth clean and tidy.

Soapstone + Cast Iron

Full cast iron construction with 1¼" soapstone lining offers comfortable, long-lasting heat and a lifetime of trouble free service.



Dimensions



Clearances

Single-wall connector pipe no rear heat shield:

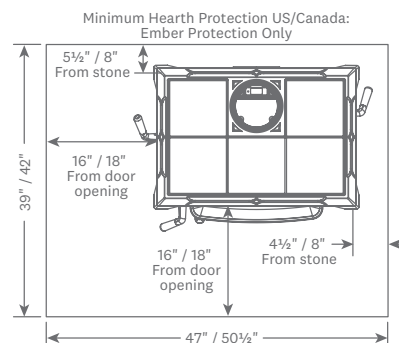
16" * 16" 8"
Side Rear Corner

Double-wall connector pipe with rear heat shield:

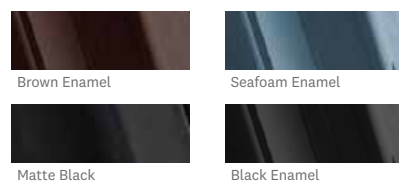
16" * 6" 8"
Side Rear Corner

*Side without side door.

Hearth Protection



Finish Options



Specifications

HHV Efficiency	77%
HeatLife™*	25 hours
EPA Certified	0.54 g/hr
Heats up to	2,000 sq ft
Firebox Capacity	2.2 cu ft
BTU	Up to 60,000
Maximum Log Length	21"
Flue Exit & Diameter	Top or Rear* - 6"
Side Load Door	Left or Right
Ash Pan	Optional
Weight	535 lbs

Accessories

Ash Pan	90-54240
Rear Heat Shield	90-68210
Convection Blower	90-57210
Outside Air Adapter	90-53220
Side Door Lock Kit	90-70210

* Refer to the owner's manual for rear exit requirements.
* Under the right conditions, you will be able to start a new fire with kindling up to the end of the product's HeatLife™.

The Soapstone Family

Mansfield

Wood Stove Model 8013

Our largest soapstone stove with TruHybrid™ technology.



Efficiency

78%

HHV



HeatLife™

30

Hours



EPA Certified

0.54

g/hr



Features

TruHybrid™ Technology

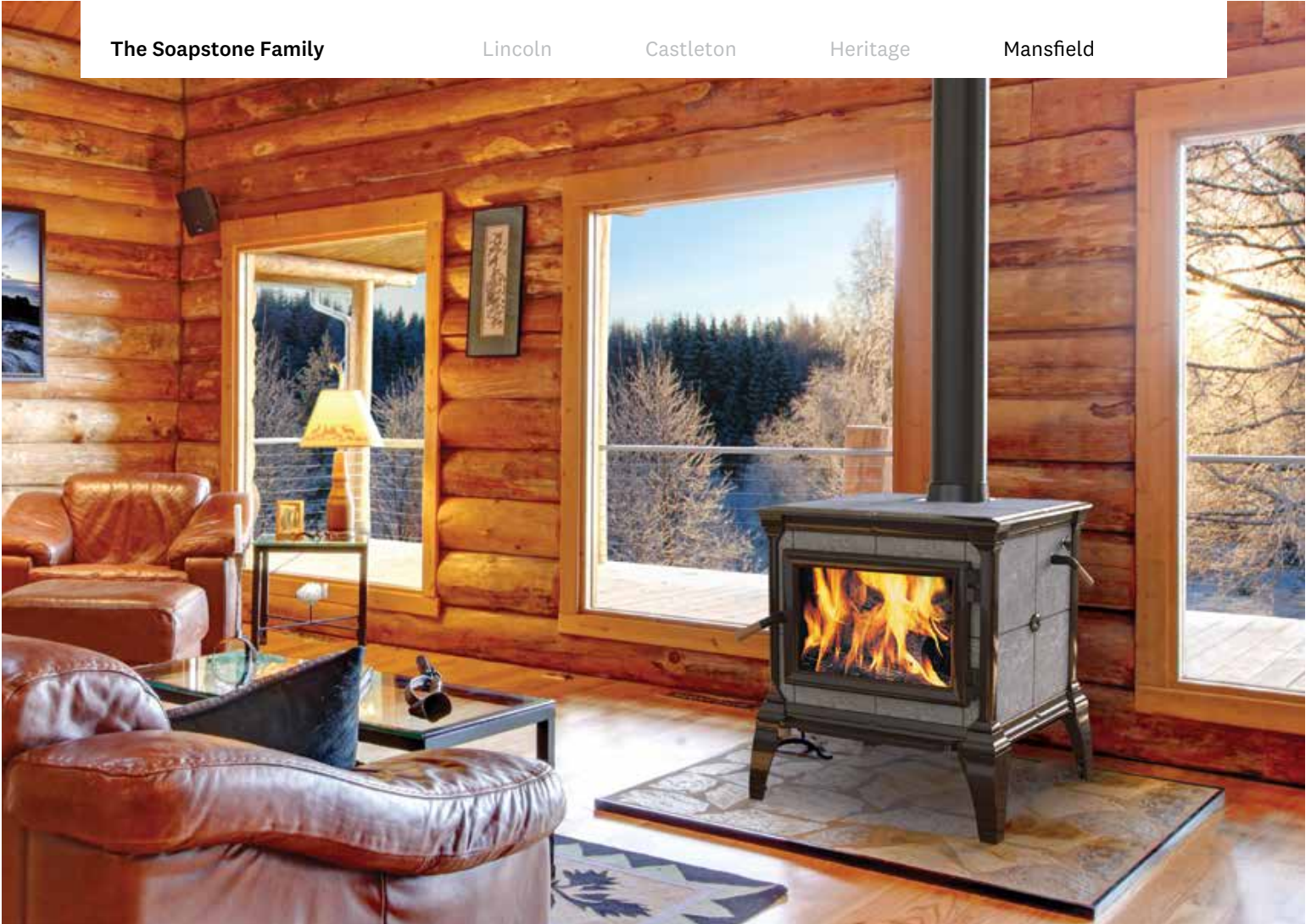
The Mansfield burns cleanly and efficiently using primary, secondary, and tertiary combustion. Enjoy clean heat with our TruHybrid technology.

Deep Firebox

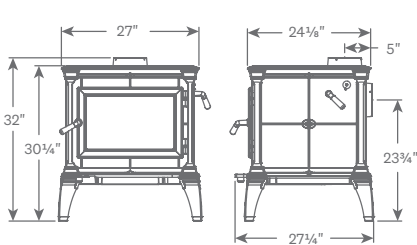
Our largest soapstone stove has plenty of space for making big fires to heat your great room or your whole house! The Mansfield boasts a 21½" wide by 20½" deep firebox.

Soapstone HeatLife

Over 230lbs of soapstone are used to construct the Mansfield to offer you plenty of long-lasting comfortable heat.



Dimensions



Clearances

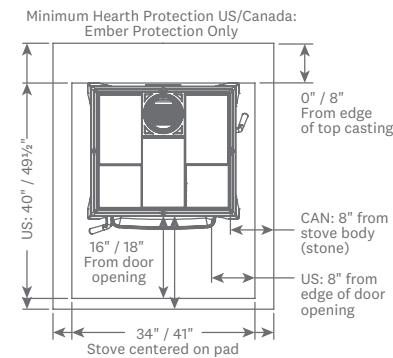
Single-wall connector pipe no rear heat shield:

23"	19"	14"
Side	Rear	Corner

Double-wall connector pipe with rear heat shield:

23"	6"	14"
Side	Rear	Corner

Hearth Protection



Finish Options



Brown Enamel



Matte Black

Specifications

HHV Efficiency	78%
HeatLife™*	Up to 30 hours
EPA Certified	0.54 g/hr
Heats up to.....	2,500 sq ft
Firebox Capacity.....	3.2 cu ft
BTU.....	Up to 80,000
Maximum Log Length	21" Left-Right,
Flue Exit & Diameter.....	Top or Rear* - 6"
Ash Pan	Optional
Weight	605 lbs

Accessories

Ash Pan	90-54240
Rear Heat Shield	90-68210
Convection Blower.....	90-57210
Outside Air Adapter.....	90-53220

* Refer to the owner's manual for rear exit requirements.

* Under the right conditions, you will be able to start a new fire with kindling up to the end of the product's HeatLife™.

The Traditions Family

Craftsbury

Wood Stove Model 8392

Beautiful and functional, perfect for smaller homes.



Efficiency

79%

HHV



HeatLife™

16

Hours



EPA Certified

1.07

g/hr



Features

Compact and Efficient

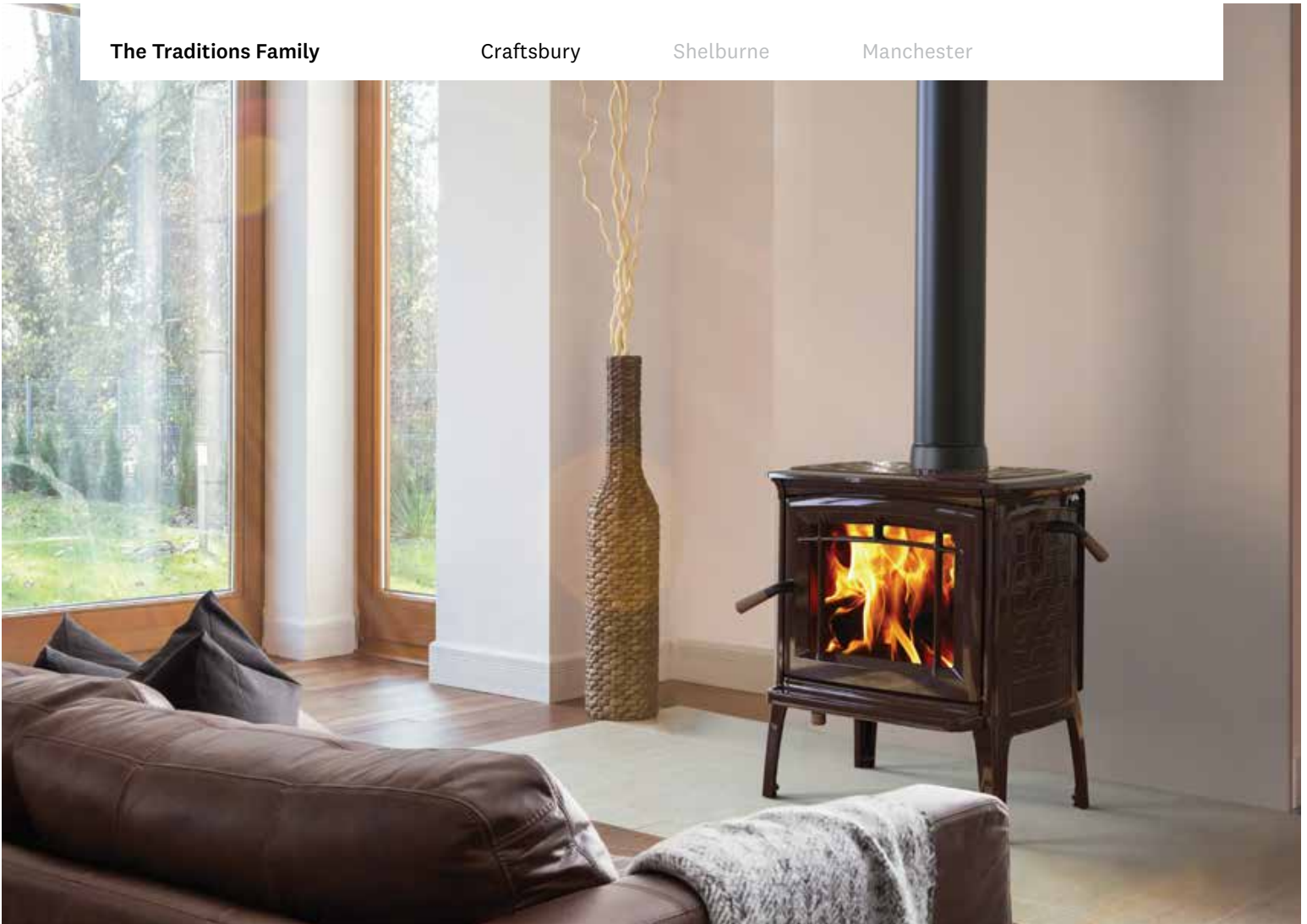
This compact and efficient wood heater will keep your home warm make the most of your wood pile.

Traditional Cast Iron

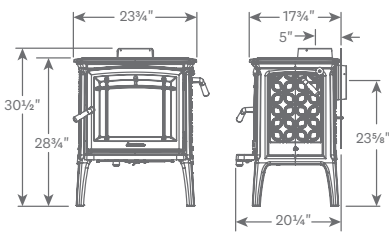
The Craftsbury is constructed of high-quality cast iron parts from our Spanish foundry and finished with beautiful porcelain enamel.

TruHybrid™ + Soapstone

Lined with soapstone blocks and using our TruHybrid technology, the Craftsbury offers long-lasting and efficient heat.



Dimensions



Clearances

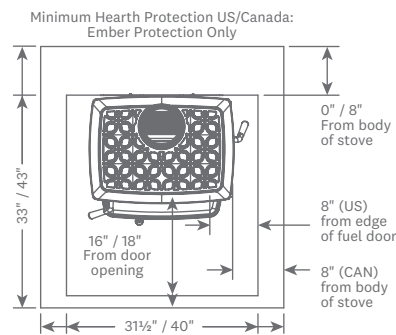
Single-wall pipe, no rear heat shield:
Side: 14" Rear: 16" Corner: 14"

Single-wall pipe, with included rear heat shield:
Side: 14" Rear: 13 3/4"* Corner: 7"

* Note: Reference your pipe manufacturer's clearances as well as local building codes to ensure a safe installation. Single-wall connector pipe generally requires 18 inches of clearance.

Double-wall pipe with blower kit heat shield:
Side: 14" Rear: 9 3/4" Corner: 7"

Hearth Protection



Finish Options



Brown Enamel



Basil Enamel



Matte Black

Specifications

HHV Efficiency	79%
HeatLife™*	16 hours
EPA Certified	1.07 g/hr
Heats up to.....	1,400 sq ft
Firebox Capacity	1.32 cu ft
BTU.....	Up to 40,000
Maximum Log Length	16"
Flue Diameter	Top or Rear* - 6"
Weight	350 lbs

Accessories

Blower w/ Rear Heat Shield	96-57400
Outside Air Adapter	96-53400

* Refer to the owner's manual for rear exit requirements.
* Under the right conditions, you will be able to start a new fire with kindling up to the end of the product's HeatLife™.

The Traditions Family

Shelburne

Wood Stove Model 8372

Our medium-sized cast iron stove offers traditional style and efficient heat.



Efficiency

79%

HHV



HeatLife™

24

Hours



EPA Certified

0.6

g/hr



Features

Cast Iron Detail

The Shelburne has a classic cast iron style. It is constructed from high-quality cast iron parts and finished in either porcelain enamel or traditional black stove paint.

Finished From Every Angle

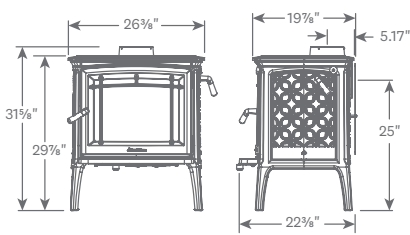
The Shelburne is designed to be seen from all sides. With a fully detailed backside, this cast iron stove looks great in the center of a room.

TruHybrid™ + Soapstone

Lined with soapstone blocks and using our TruHybrid technology, the Shelburne offers long-lasting and efficient heat.



Dimensions



Clearances

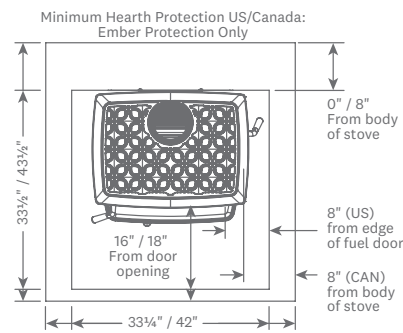
Single-wall pipe with no rear heat shield:
Side: 13" Rear: 17 1/2" Corner: 10"

Single-wall pipe with included rear heat shield:
Side: 13" Rear: 11"* Corner: 7"

* Note: Reference your pipe manufacturer's clearances as well as local building codes to ensure a safe installation. Single-wall connector pipe generally requires 18 inches of clearance.

Double-wall pipe with blower kit heat shield
Side: 13" Rear: 5" Corner: 7"

Hearth Protection



Finish Options



Brown Enamel



Basil Enamel



Matte Black

Specifications

HHV Efficiency	79%
HeatLife™*	24 hours
EPA Certified	0.6 g/hr
Heats up to.....	2,000 sq ft
Firebox Capacity.....	2.0 cu ft
BTU.....	Up to 60,000
Maximum Log Length	18"
Flue Diameter	Top or Rear* - 6"
Weight	385 lbs

Accessories

Blower w/ Rear Heat Shield	96-57400
Outside Air Adapter.....	96-53400

* Refer to the owner's manual for rear exit requirements.
* Under the right conditions, you will be able to start a new fire with kindling up to the end of the product's HeatLife™.

The Traditions Family


Manchester

Wood Stove Model 8362

TruHybrid™ technology with the most features of any stove.


Efficiency
78%
HHV


HeatLife™
30
Hours


EPA Certified
0.65
g/hr



Features

Natural Convective Heat

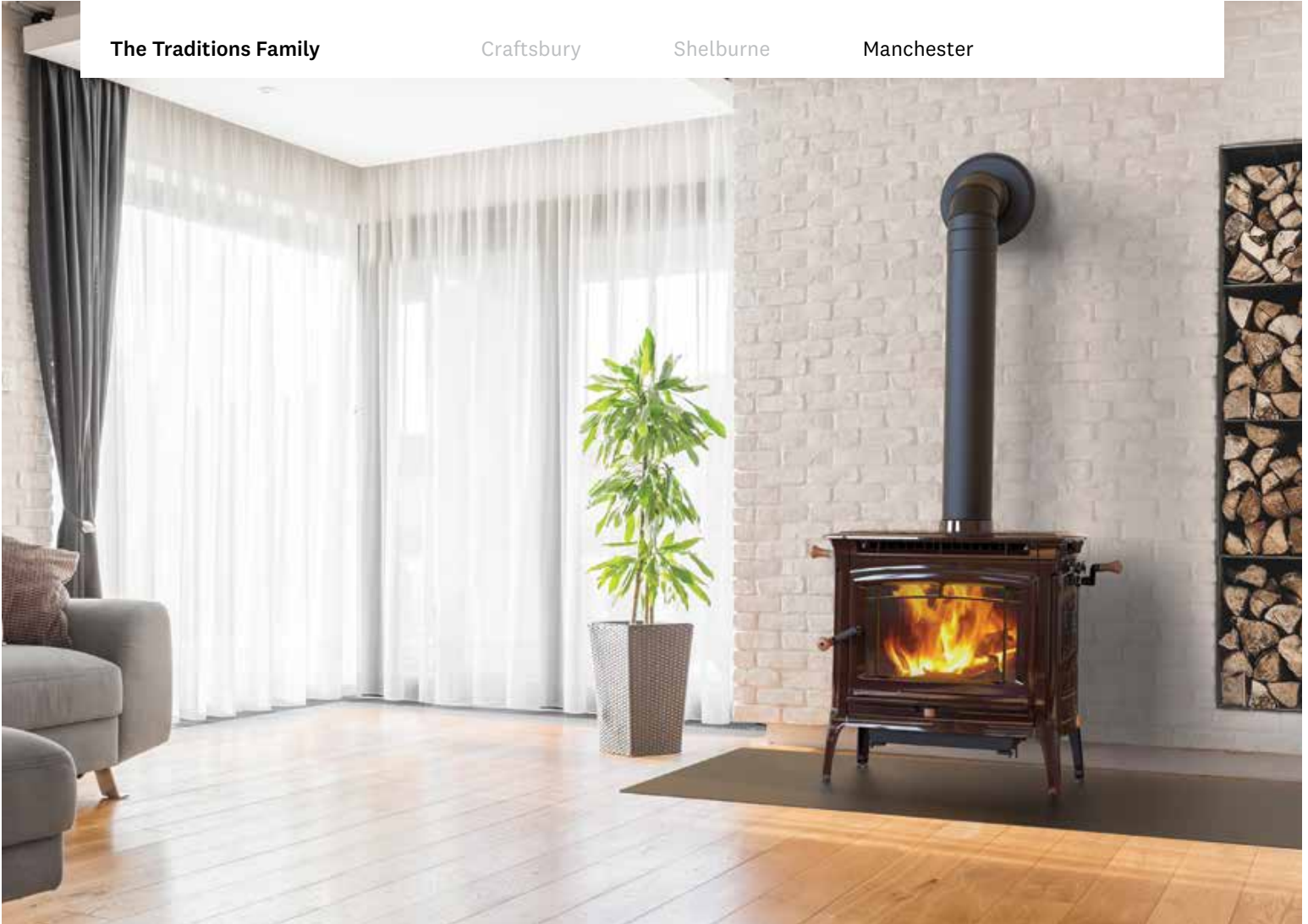
The Manchester is built with an air channel up the back and across the top of the stove which helps circulate warm air through your home.

Convenient Features

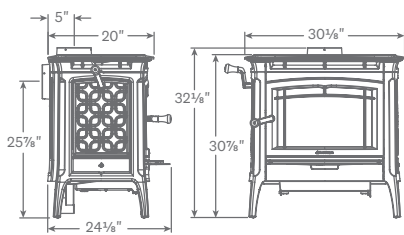
Load your fireplace through the side door and use the integral ash pan to help keep your hearth clean and tidy.

TruHybrid™ + Soapstone

Lined with soapstone blocks and using our TruHybrid technology, the Manchester offers long-lasting and efficient heat.



Dimensions



Clearances

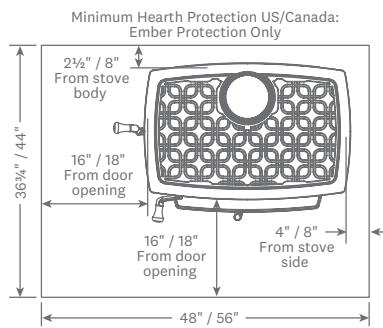
Single-wall connector pipe
no close-clearance heat shield:

18" 16" 9"
Side Rear Corner

Double-wall connector pipe with
close-clearance heat shield:

16" 6" 9"
Side Rear Corner

Hearth Protection



Finish Options



Matte Black



Brown Enamel

Specifications

HHV Efficiency	78%
HeatLife™*	30 hours
EPA Certified	0.65 g/hr
Heats up to.....	2,400 sq ft
Firebox Capacity.....	2.45 cu ft
BTU.....	Up to 75,000
Maximum Log Length	24"
Flue Exit & Diameter.....	Top or Rear* - 6"
Ash Pan	Included
Side Load Door.....	Left
Rear Heat Shield	Included
Weight	520 lbs

Accessories

Convection Blower	93-57600
Close Clear. Heat Shield	93-68600
Outside Air Adapter	93-53500
Side Door Lock Kit	93-70607

* Refer to the owner's manual for rear exit requirements.
* Under the right conditions, you will be able to start a new fire with kindling up to the end of the product's HeatLife™.

The Green Mountain Family

Green Mountain 40

Wood Stove Model 8640

Warm your living area with a clean, efficient, long lasting fire.



Efficiency

79%

HHV



HeatLife™

16

Hours



EPA Certified

1.07

g/hr



Features

Clean Traditional Style

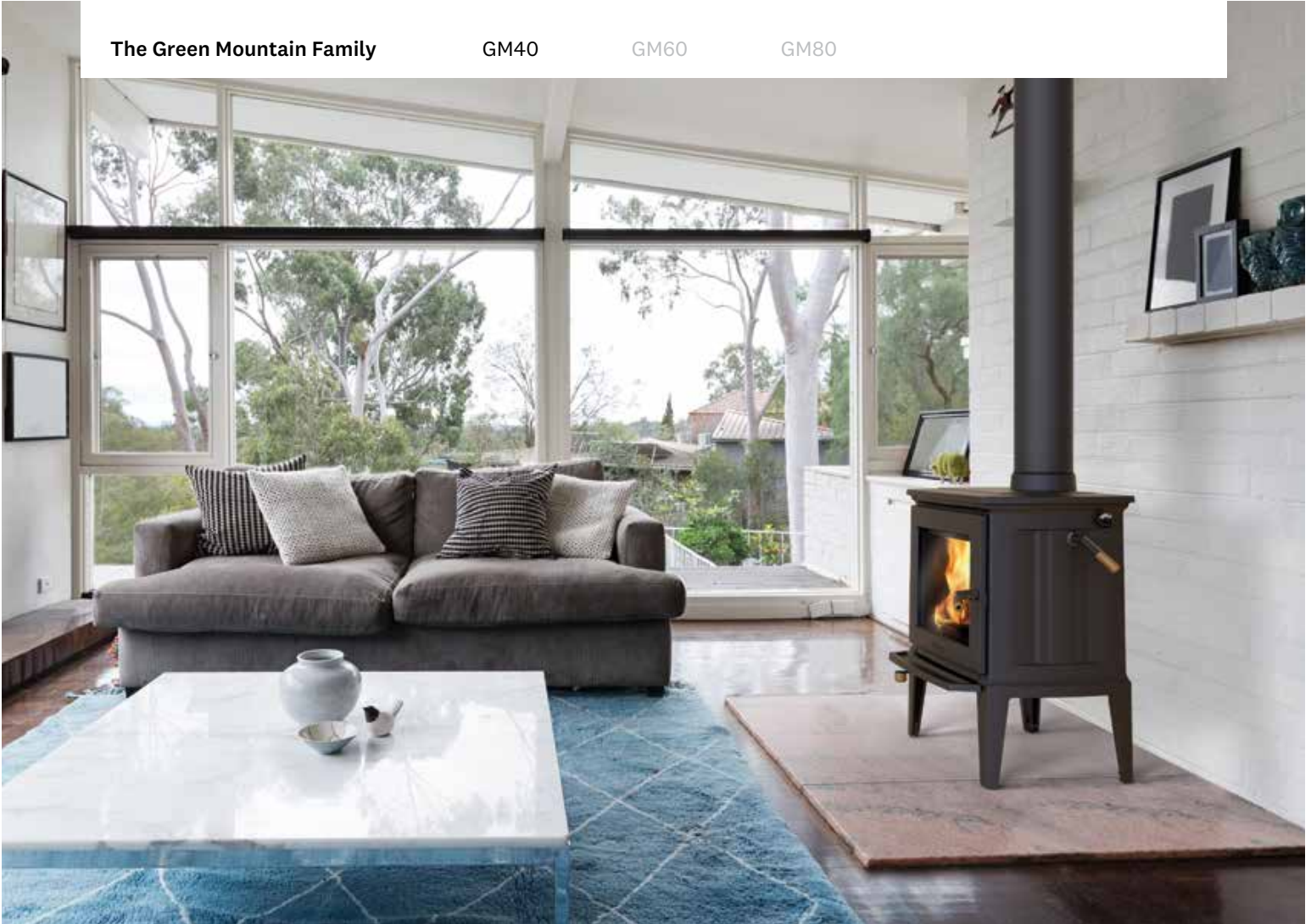
Our GM40 wood stove is styled with clean lines and offered in traditional black cast iron. Built for the wood stove purist.

TruHybrid™ Reliability

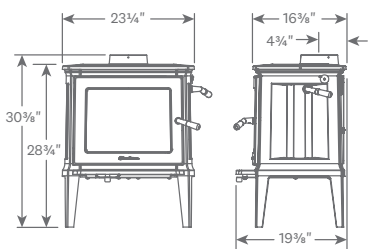
Our Green Mountain stoves exceed EPA clean burning standards. You can be sure they will burn clean today and for many years to come.

Soapstone Firebox Lining

The GM40 is lined with soapstone blocks. Soapstone absorbs the heat of the fire to give you long-lasting comfortable heat.



Dimensions



Clearances

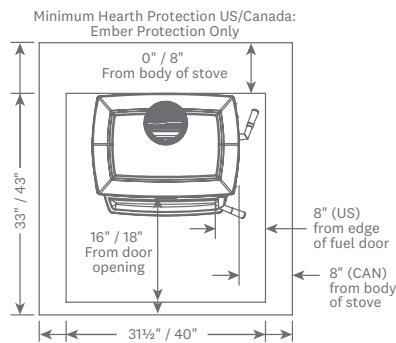
Single-wall pipe no rear heat shield:
Side: 14" Rear: 16" Corner: 14"

Single-wall pipe with included rear heat shield:
Side: 14" Rear: 13 3/4"* Corner: 7"

* Note: Reference your pipe manufacturer's clearances as well as local building codes to ensure a safe installation. Single-wall connector pipe generally requires 18 inches of clearance.

Double-wall pipe with blower kit heat shield:
Side: 14" Rear: 9 3/4" Corner: 7"

Hearth Protection



Finish Options



Matte Black

Specifications

HHV Efficiency	79%
HeatLife™*	16 hours
EPA Certified	1.07 g/hr
Heats up to	1,400 sq ft
Firebox Capacity	1.32 cu ft
BTU	Up to 40,000
Maximum Log Length	16"
Flue Diameter	Top - 6"
Weight	350 lbs


Accessories

Blower w/ Rear Heat Shield	96-57400
Outside Air Adapter	96-53400


The Green Mountain Family

Green Mountain 60 Wood Stove Model 8660

Keep your home cozy all night long with great efficiency.


Efficiency
79%
HHV


HeatLife™
24
Hours


EPA Certified
0.6
g/hr



Features

A Stove With A View

The clean yet traditional style of the GM60 frames a wide view into the fire. Enjoy the dancing flames of the clean-burning fire.

TruHybrid™ Reliability

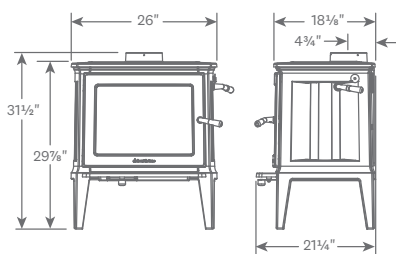
Our Green Mountain stoves exceed EPA clean burning standards. You can be sure they will burn clean today and for many years to come.

Soapstone Firebox Lining

The GM60 is lined with soapstone blocks to store the heat from the fire and give off a gentle radiant heat that lasts. We call it HeatLife™.



Dimensions



Clearances

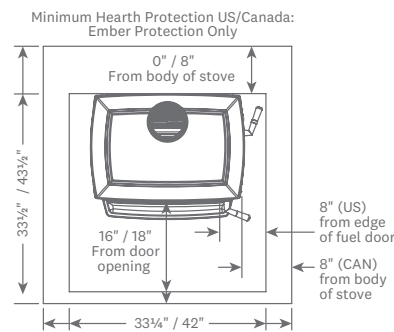
Single-wall pipe with no rear heat shield:
Side: 13" Rear: 17 1/2" Corner: 10"

Single-wall pipe with included rear heat shield:
Side: 13" Rear: 11"* Corner: 7"

* Note: Reference your pipe manufacturer's clearances as well as local building codes to ensure a safe installation. Single-wall connector pipe generally requires 18 inches of clearance.

Double-wall pipe with blower kit heat shield:
Side: 13" Rear: 5" Corner: 7"

Hearth Protection



Finish Options



Matte Black

Specifications

HHV Efficiency	79%
HeatLife™*	24 hours
EPA Certified	0.6 g/hr
Heats up to.....	2,000 sq ft
Firebox Capacity.....	2.0 cu ft
BTU.....	Up to 60,000
Maximum Log Length	18"
Flue Diameter	Top - 6"
Weight	405 lbs

Accessories

Blower w/ Rear Heat Shield	96-57400
Outside Air Adapter	96-53400

The Green Mountain Family

Green Mountain 80

Wood Stove Model 8680

Our largest and most efficient TruHybrid™ wood stove boasts 81% HHV efficiency.



Efficiency

81%

HHV



HeatLife™

30

Hours



EPA Certified

0.7

g/hr



Features

TruHybrid™ Efficiency

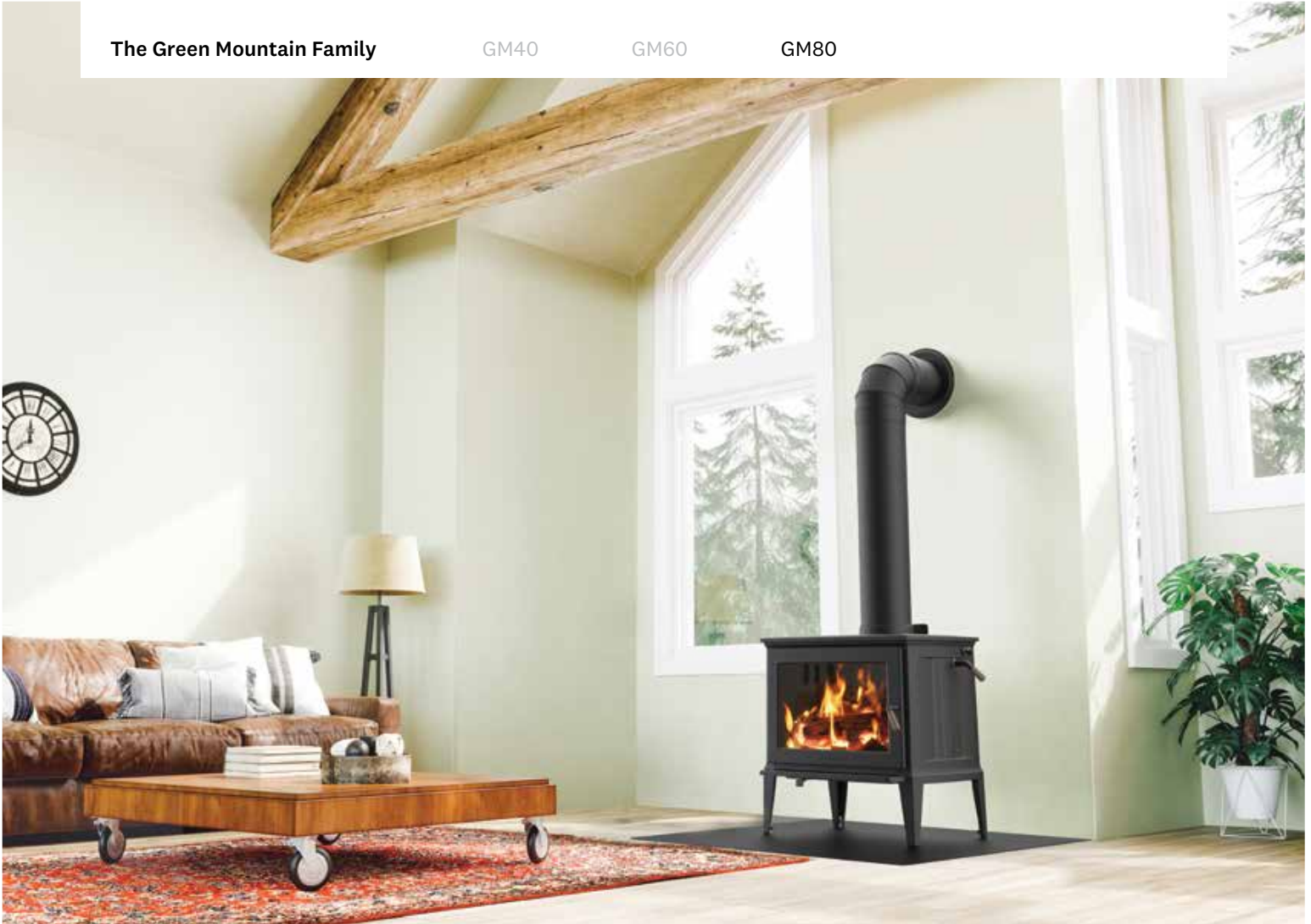
Our biggest and most efficient wood stove, the GM80 boasts the highest efficiency available on the market today at 81% HHV.

Full view of the fire

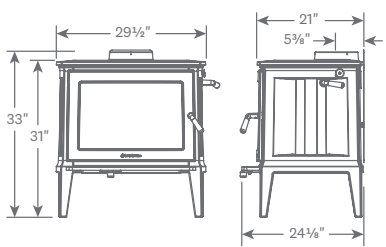
The window into the stove is designed to let you see as much fire as possible. Enjoy the heat and the view.

Large firebox

Burn up to 23 inch logs in the soapstone lined firebox. Spend less time splitting wood and more time enjoying it in this 3.1 cubic foot stove.



Dimensions



Clearances

Single-wall pipe with included rear heat shield:

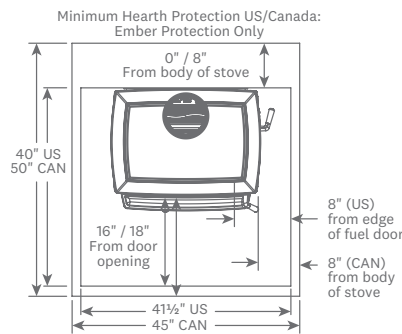
13" 8"* 7"
Side Rear Corner

* Note: Reference your pipe manufacturer's clearances as well as local building codes to ensure a safe installation. Single-wall connector pipe generally requires 18 inches of clearance.

Double-wall pipe with blower kit heat shield:

13" 5" 7"
Side Rear Corner

Hearth Protection



Finish Options



Matte Black

Specifications

HHV Efficiency	81%
HeatLife™*	30 hours
EPA Certified	0.7 g/hr
Heats up to	2,500 sq ft
Firebox Capacity	3.1 cu ft
BTU	Up to 80,000
Maximum Log Length	23"
Flue Diameter	Top - 8"
Weight	550 lbs

Accessories

Blower w/ Rear Heat Shield.....	96-57800
Outside Air Adapter	96-53400

The HASE Family

Bari

Wood Stove Model 8171



The cleanest, most efficient modern stove on the market.



Efficiency

76%

HHV



HeatLife™

14

Hours



EPA Certified

0.94

g/hr



Alabaster Ceramic,
smooth



Meteorite Ceramic,
linear texture



Wintersea Ceramic,
linear texture



Lava Ceramic,
ringed texture



Soapstone



Charcoal Steel,
Soapstone top



Charcoal Steel

Features

TruHybrid™ Efficiency

The EPA certified Bari wood stove combines HearthStone's TruHybrid™ combustion technology with German quality and modern style.

225° Fire Presentation

The Bari rotates smoothly and easily so you can enjoy the fire as you move around your home.

Natural Convective Heat

HASE stoves are built with 2 layers. The space between the inner and outer layers creates a convective air channel that circulates warm air through your home and reduces the outer temperature of the stove.

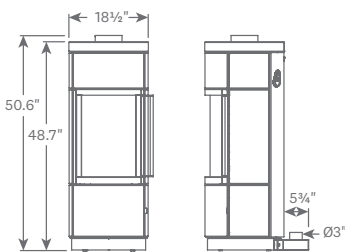
The HASE Family

Bari

Bari Plus



Dimensions



Clearances

Single or double wall connector pipe
Stove free to rotate:

38" 13"
Side Rear

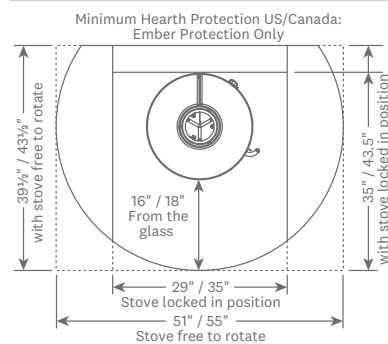
Single or double wall connector pipe
Stove locked in position:

13" 11"‡ 10"‡
Side Rear Corner

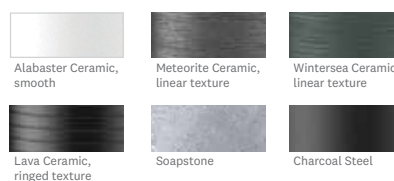
* Note: Reference your pipe manufacturer's clearances as well as local building codes to ensure a safe installation. Single-wall connector pipe generally requires 18 inches of clearance.

Note: All information is for reference only. Refer to the owner's manual for full specification and installation details.

Hearth Protection



Finish Options



Specifications

HHV Efficiency	76%
HeatLife™*	14 hours
EPA Certified	0.94 g/hr
Heats up to	1,400 sq ft
Firebox Capacity	1.25 cu ft
BTU	Up to 35,000
Flue Exit & Diameter	Top - 6"
Ash Pan	Included
Fire Presentation	225°**
Weight, Steel	310 lbs
Weight, Ceramic	430 lbs
Weight, Soapstone	485 lbs

** The stove rotates 180°, making the fire visible up to 225°

Accessories

Outside Air Adapter91-53712

* Under the right conditions, you will be able to start a new fire with kindling up to the end of the product's HeatLife™.


The HASE Family

Bari Plus


Wood Stove Model 8172



Lined with heat storing thermal brick for a long, even HeatLife™.


Efficiency
76%
HHV


HeatLife™
16
Hours


EPA Certified
0.94
g/hr



Charcoal
Steel

Features

TruHybrid™ Efficiency

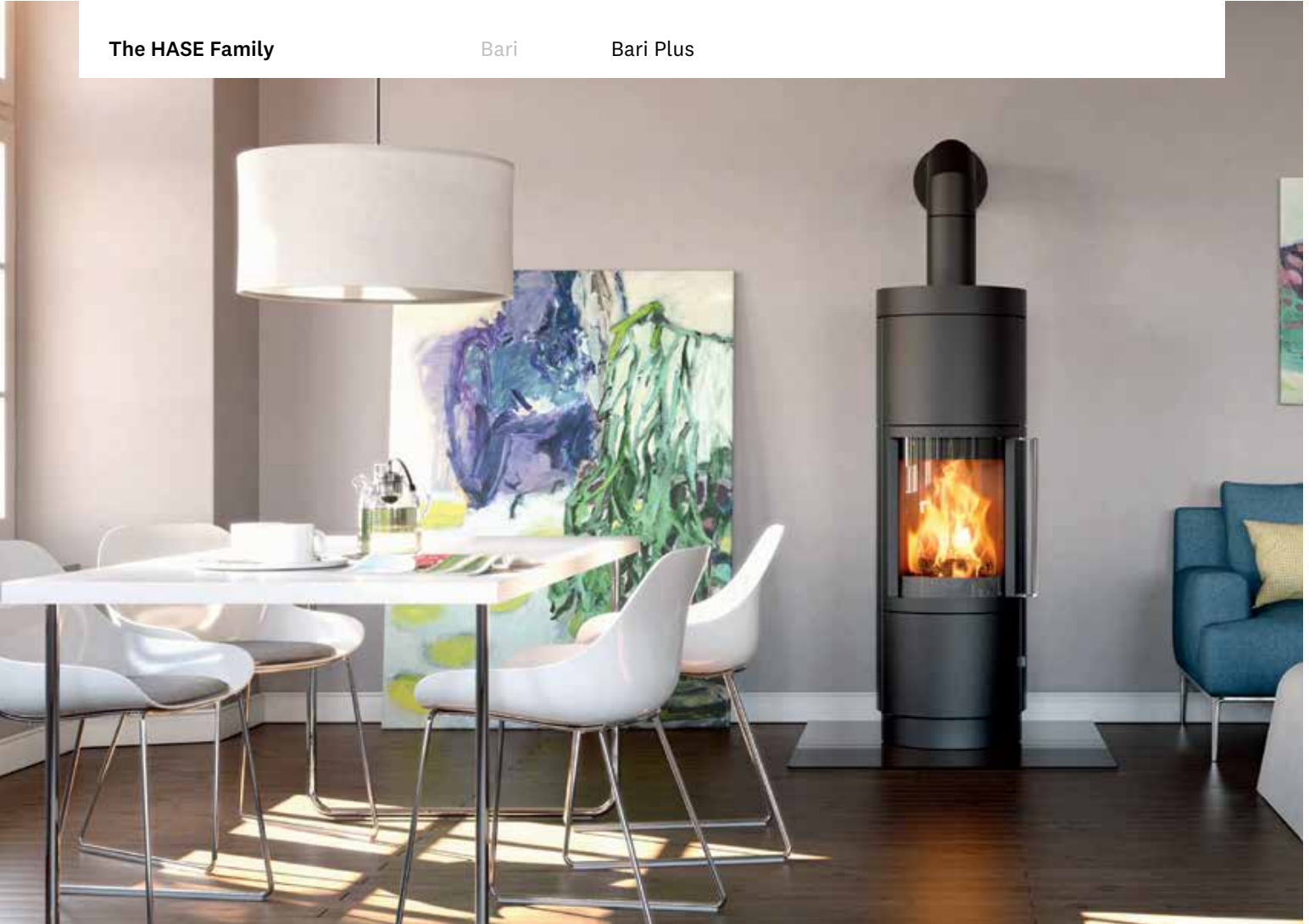
The EPA certified Bari wood stove combines HearthStone's TruHybrid™ combustion technology with German quality and modern style.

European Design

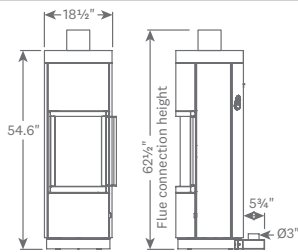
This modern stoves makes a beautiful impression in room switch minimal furnishings, well-chosen furniture, and clean, streamlined designs.

Thermal Brick

The Bari Plus is lined with 310 lbs. of magnetite heat retaining blocks. The extra height of the stove provides space for even more heat storage, ensuring a long HeatLife™.



Dimensions



Clearances

Single or double wall connector pipe
Stove free to rotate:

38" 13"
Side Rear

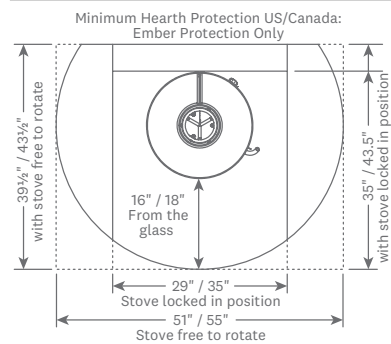
Single or double wall connector pipe
Stove locked in position:

13" 11"* 10"*
Side Rear Corner

* Note: Reference your pipe manufacturer's clearances as well as local building codes to ensure a safe installation. Single-wall connector pipe generally requires 18 inches of clearance.

Note: All information is for reference only. Refer to the owner's manual for full specification and installation details.

Hearth Protection



Finish Options



Charcoal Steel

Specifications

HHV Efficiency	76%
HeatLife™*	14 hours
EPA Certified	0.94 g/hr
Heats up to	1,400 sq ft
Firebox Capacity	1.25 cu ft
BTU	Up to 35,000
Flue Exit & Diameter	Top - 6"
Ash Pan	Included
Fire Presentation	225°**
Heat Retaining Blocks	100 lbs
Total Weight	425 lbs

** The stove rotates 180°, making the fire visible up to 225°

Accessories


Outside Air Adapter91-53712

* Under the right conditions, you will be able to start a new fire with kindling up to the end of the product's HeatLife™.


Wood Fireplace Inserts

Clydesdale Model 8492

HearthStone's classic wood burning fireplace insert with TruHybrid™ technology.


Efficiency
79%
HHV


HeatLife™
24
Hours


EPA Certified
1.16
g/hr



Features

TruHybrid™ Efficiency

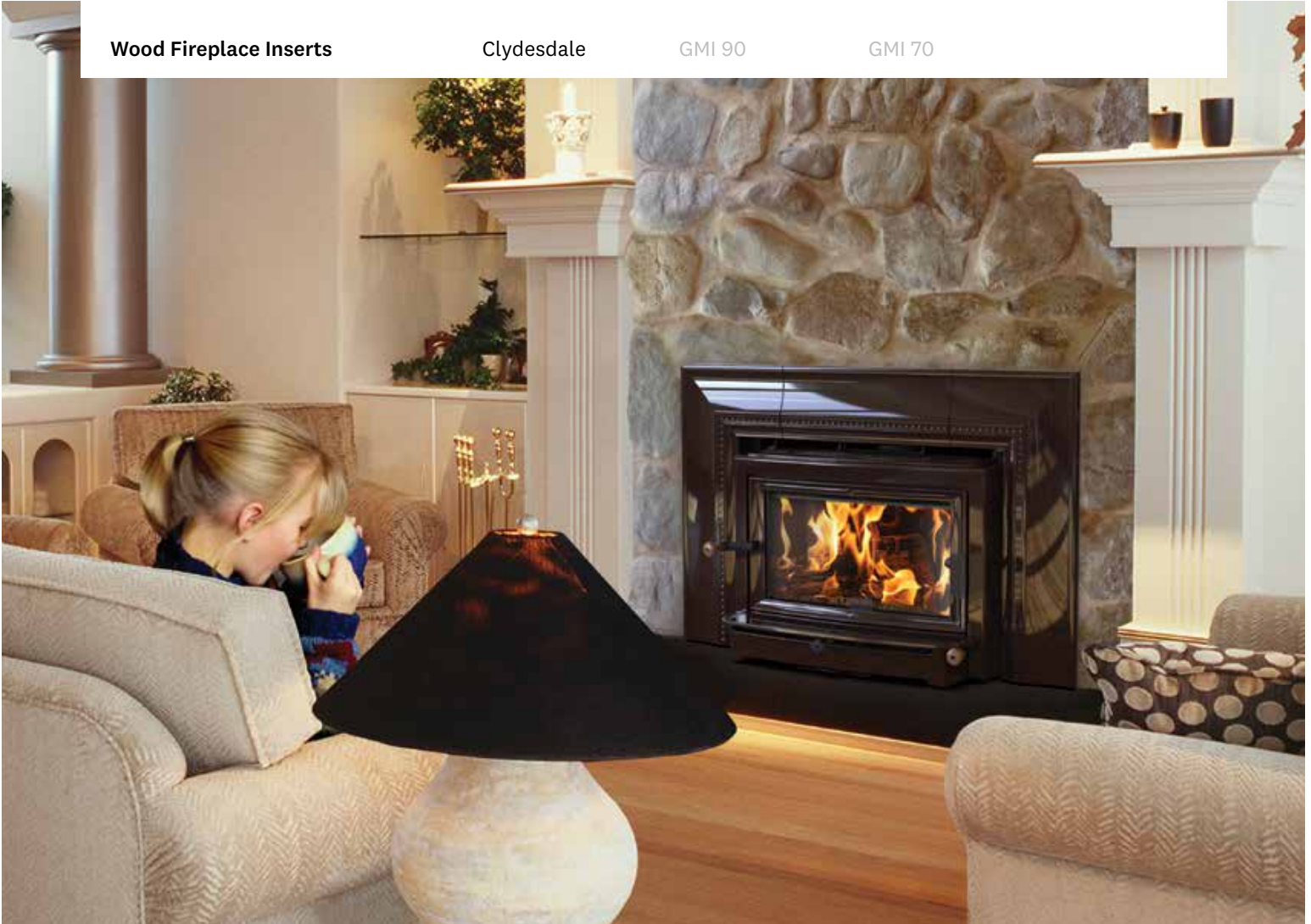
The Clydesdale uses our TruHybrid technology. Engage the catalyst and turn your stove down for slow and efficient overnight burns.

Open view of the fire

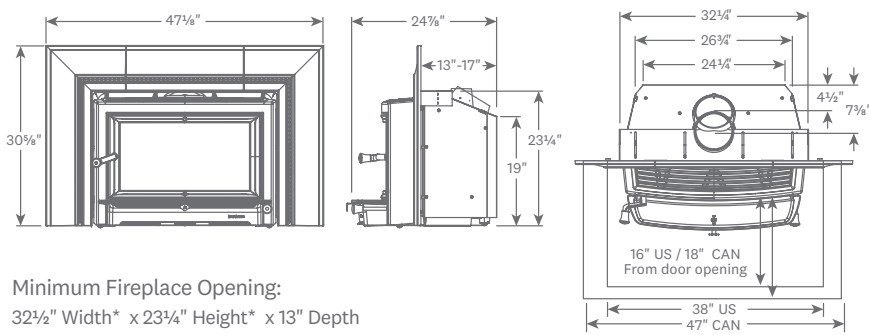
The Clydesdale's large open window lets you see as much fire as possible. Enjoy the ambiance of a fireplace and the efficiency of HearthStone.

Soapstone firebox

Burn up to 24 inch logs in the soapstone lined firebox. Soapstone retains the maximum heat from you fire and radiates steady warmth as your insert burns.



Dimensions & Installation



Minimum Fireplace Opening:
 32½" Width* x 23¾" Height* x 13" Depth
 *Hearth may taper to 27"W x 21"H at the back wall

Minimum Hearth Protection:
 Masonry hearths 7" or higher: Ember Protection Only
 Hearths less than 7" tall: Insulation Required, R-1.5

Clearances

- 8" combustible mantel from bottom of insert - 39½"
- 8" shielded mantel from bottom of insert - 33¾"
- To side trim from side of insert body - 8"
- To side wall from side of insert body - 11"

Finish Options



Matte Black



Brown Enamel

Specifications

HHV Efficiency	79%
HeatLife™*	24 hours
EPA Certified	1.16 g/hr
Heats up to.....	2,000 sq ft
Firebox Capacity.....	2.4 cu ft
BTU.....	Up to 60,000
Maximum Log Length	22"
Flue Exit & Diameter.....	6", 2 positions
Convection Blower.....	Included
Actual Weight	550 lbs.

Accessories


Mantel Shield.....	94-79700
Surround Extension.....	94-5990010
Surround Base Caps	94-5970610/20

* Under the right conditions, you will be able to start a new fire with kindling up to the end of the product's HeatLife™.


Wood Fireplace Inserts

Green Mountain Insert 90 Model 8460

Our large flush insert combines stylish cast iron with our signature soapstone lining.


Efficiency
64%
HHV


HeatLife™
8
Hours


EPA Certified
1.22
g/hr



Shown in matte black with the optional steel surround

Features

Enameled cast iron

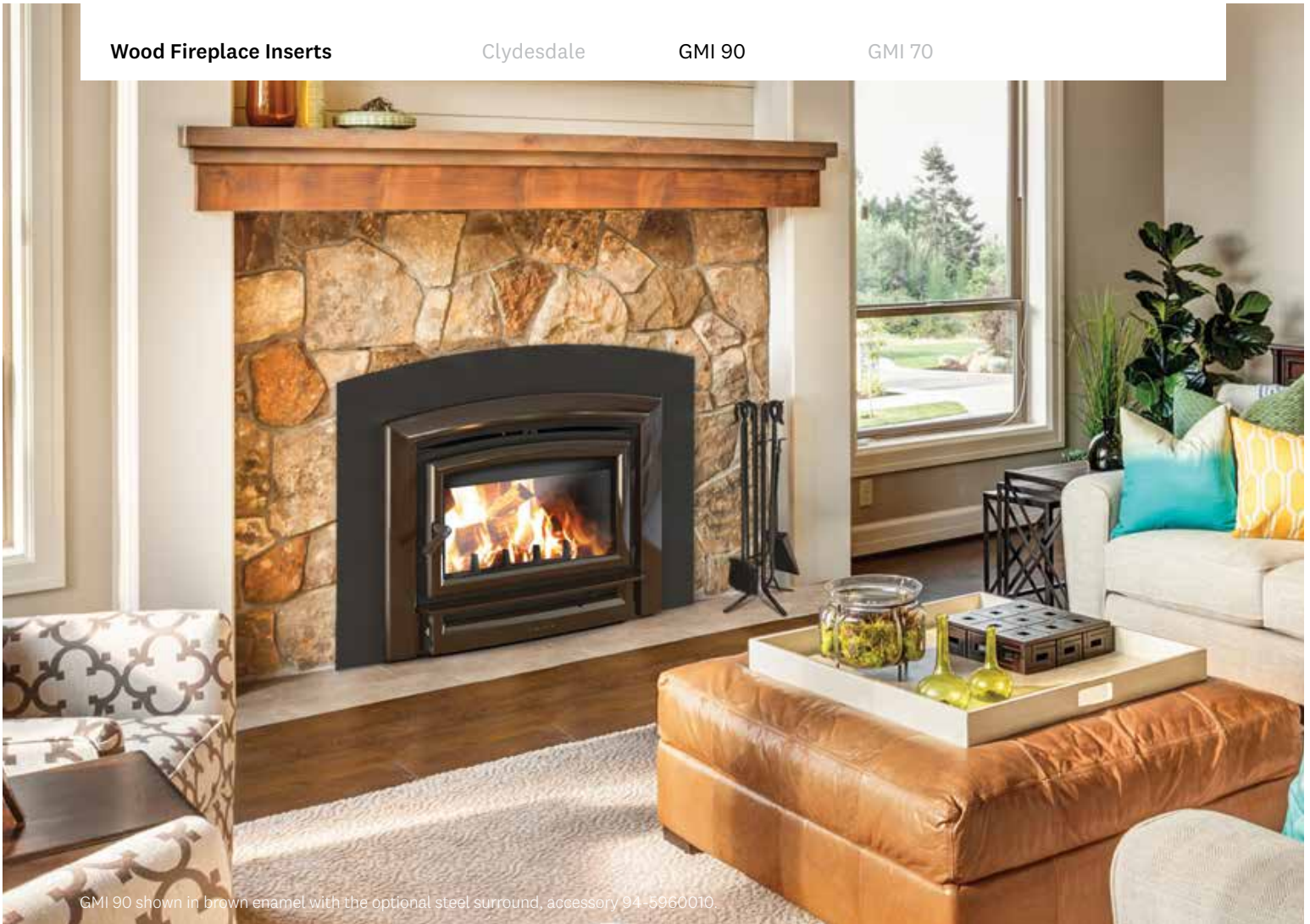
The flush cast iron front of the GMI 90 is available in matte black or our brown enamel finish.

Soapstone firebox

Burn up to 20 inch logs in the soapstone lined firebox. Soapstone retains the maximum heat from you fire and radiates steady warmth as your insert burns.

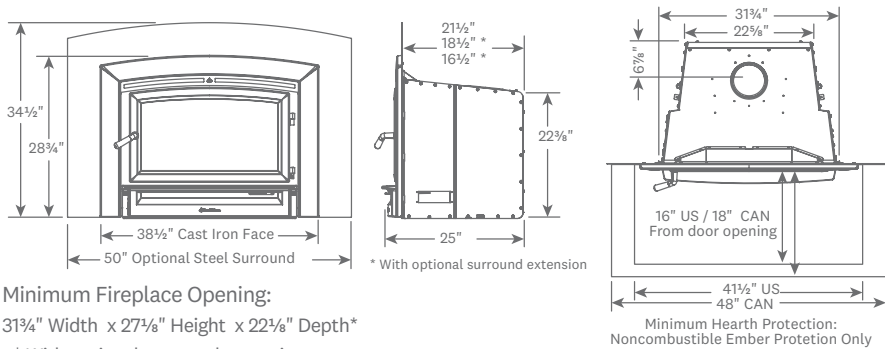
Simple operation

Our non-catalytic wood insert is easy to use. A single lever air control lets you burn hot and fast or low and slow to keep warm through the night.



GMI 90 shown in brown enamel with the optional steel surround, accessory 94-5960010.

Dimensions & Installation



Clearances

- Combustible mantel from insert bottom - 40 $\frac{3}{4}$ "
- To side trim from side of insert body - 9 $\frac{1}{2}$ "
- To side wall from side of insert body - 19"

Finish Options



Matte Black



Brown Enamel

Specifications

HHV Efficiency	64%
HeatLife™*	8 hours
EPA Certified	1.22 g/hr
Heats up to	2,200 sq ft
Firebox Capacity	2.5 cu ft
BTU	Up to 80,000
Maximum Log Length	20"
Flue Exit & Diameter	Top - 6"
Convection Blower	Included

Accessories†

Steel Surround	94-5960010
Surround Extension	94-5960110
Outside Air Adapter Kit	94-53600
Fire Screen Insert	94-69600
Mantel Shield	94-79700
Liner Hook-Up Collar	94-67500
Offset Liner Adapter	5700-007


* See the Accessories section at the end of the catalog for more information.

† Under the right conditions, you will be able to start a new fire with kindling up to the end of the product's HeatLife™.

Wood Fireplace Inserts

Green Mountain Insert 70 Model 8450

Our flush-face soapstone-lined wood burning fireplace insert.


Efficiency
69%
HHV


HeatLife™
10
Hours


EPA Certified
1.54
g/hr



Shown in brown enamel

Features

Flush cast iron design

The cast iron front of the GMI 70 is designed to fit flush with your hearth for a clean and elegant look.

Soapstone firebox

Burn up to 20 inch logs in the soapstone lined firebox. Soapstone retains the maximum heat from you fire and radiates steady warmth as your insert burns.

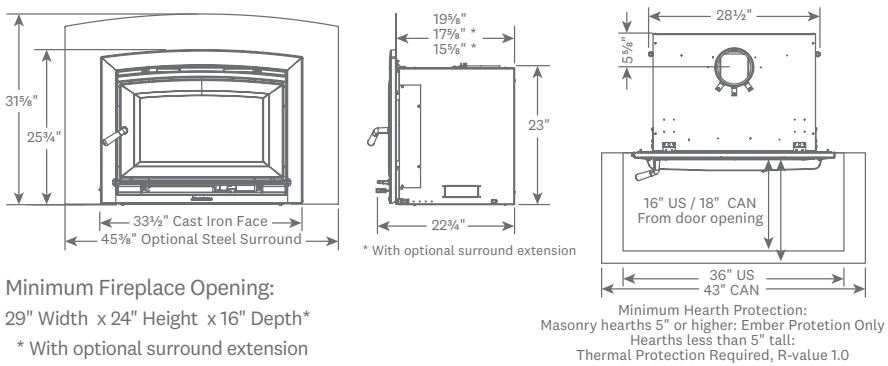
Simple operation

Our non-catalytic wood insert is easy to use. A single lever air control lets you burn hot and fast or low and slow to keep warm through the night.



GMI 70 shown in matte black with the optional steel surround, accessory 94-5950110.

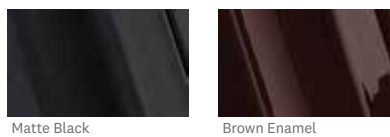
Dimensions & Installation



Clearances

- To combustible mantel from bottom of insert - 50"
- To side trim from side of insert body - 9"
- To side wall from side of insert body - 16"

Finish Options



* See the Accessories section at the end of the catalog for more information.

Specifications

HHV Efficiency	69%
HeatLife™*	10 hours
EPA Certified	1.54 g/hr
Heats up to.....	2,000 sq ft
Firebox Capacity.....	2.4 cu ft
BTU.....	Up to 70,000
Maximum Log Length	20"
Flue Exit & Diameter	Top - 6"
Convection Blower.....	Included

Accessories†

Steel Surround	94-5950110
Surround Lower Panel	94-5950510
Surround Extension	94-5950010
Outside Air Adapter Kit	94-53500
Mantel Shield	94-79700
Fire Screen Insert.....	94-69500
Liner Hook-Up Collar	94-67500
Offset Liner Adapter	5700-007

† Under the right conditions, you will be able to start a new fire with kindling up to the end of the product's HeatLife™.

Wood ZC Fireplaces

WFP 75 Model 8411

The textured cast iron facade adds a unique elegance to your living room.



Efficiency

64%

HHV



HeatLife™

8

Hours



EPA Certified

1.22

g/hr



Features

Zero Clearance Fireplace

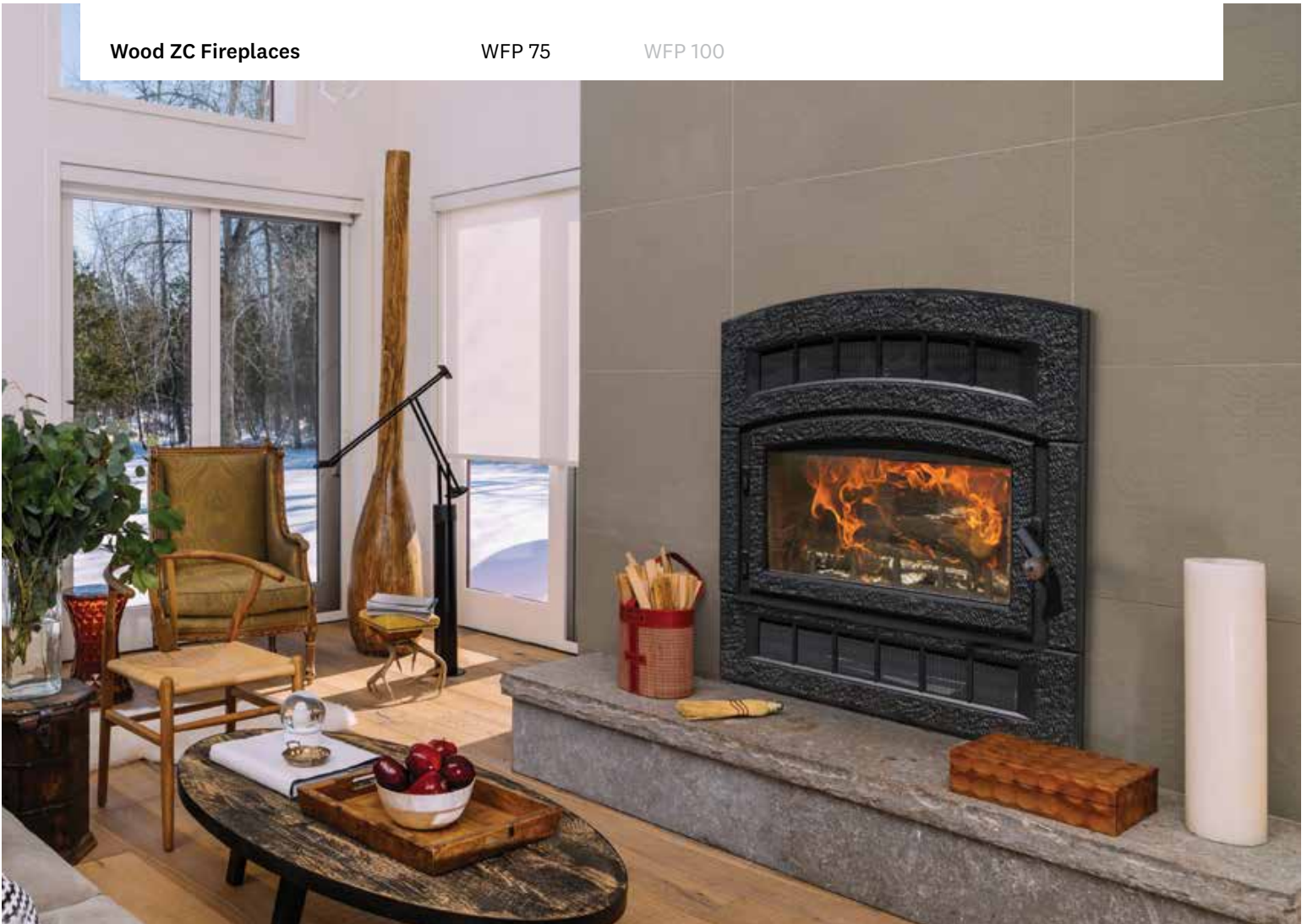
Our ZC fireplace is designed to be framed into new construction. It is easier, takes up less space, and is less expensive to install when compared to traditional masonry fireplaces.

Clean burning + efficient

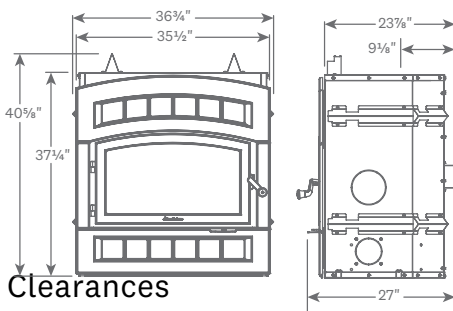
Our ZC wood fireplace exceeds 2020 EPA standards. It burns cleanly and efficiently to keep the heat in your home rather than wasting it up the chimney.

Cast iron design

The cast iron front of the WFP 75 is designed with a hand chiseled texture that offers a uniquely beautiful finish to your fireplace.



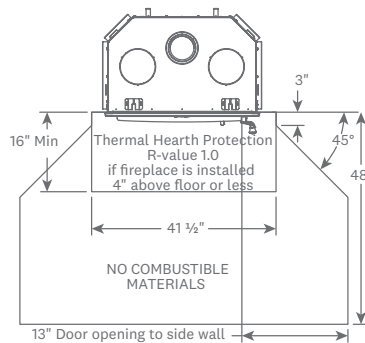
Dimensions & Installation



Clearances

- Ceiling from bottom of fireplace: 80"
- Mantel from bottom of fireplace: 58"
- Side trim from door opening: 8"
- Side wall from door opening: 13"

Hearth Protection



Finish Options



Matte Black



Brown Enamel

Specifications

- HHV Efficiency64%
- HeatLife™*8 hours
- EPA Certified1.22 g/hr
- Heats up to.....2,200 sq ft
- Firebox Capacity.....2.5 cu ft
- BTU.....Up to 80,000
- Maximum Log Length20"
- Flue Exit & Diameter.....Top - 6"
- Convection Blower.....Included

Accessories†

- Hot Air Distribution Kit.....94-99100
- Hot Air Distribution Kit, Modern ...94-99110
- Forced Hot Air Kit94-57110
- Mantel Shield94-79700
- Fire Screen94-69110

* See the Accessories section at the end of the catalog for more information.

† Under the right conditions, you will be able to start a new fire with kindling up to the end of the product's HeatLife™.

Wood ZC Fireplaces

WFP 100 Model 8420

Double doors provide a wide view into our largest fireplace.



Efficiency

64%

HHV



HeatLife™

10

Hours



EPA Certified

1.6

g/hr



Features

Zero Clearance Fireplace

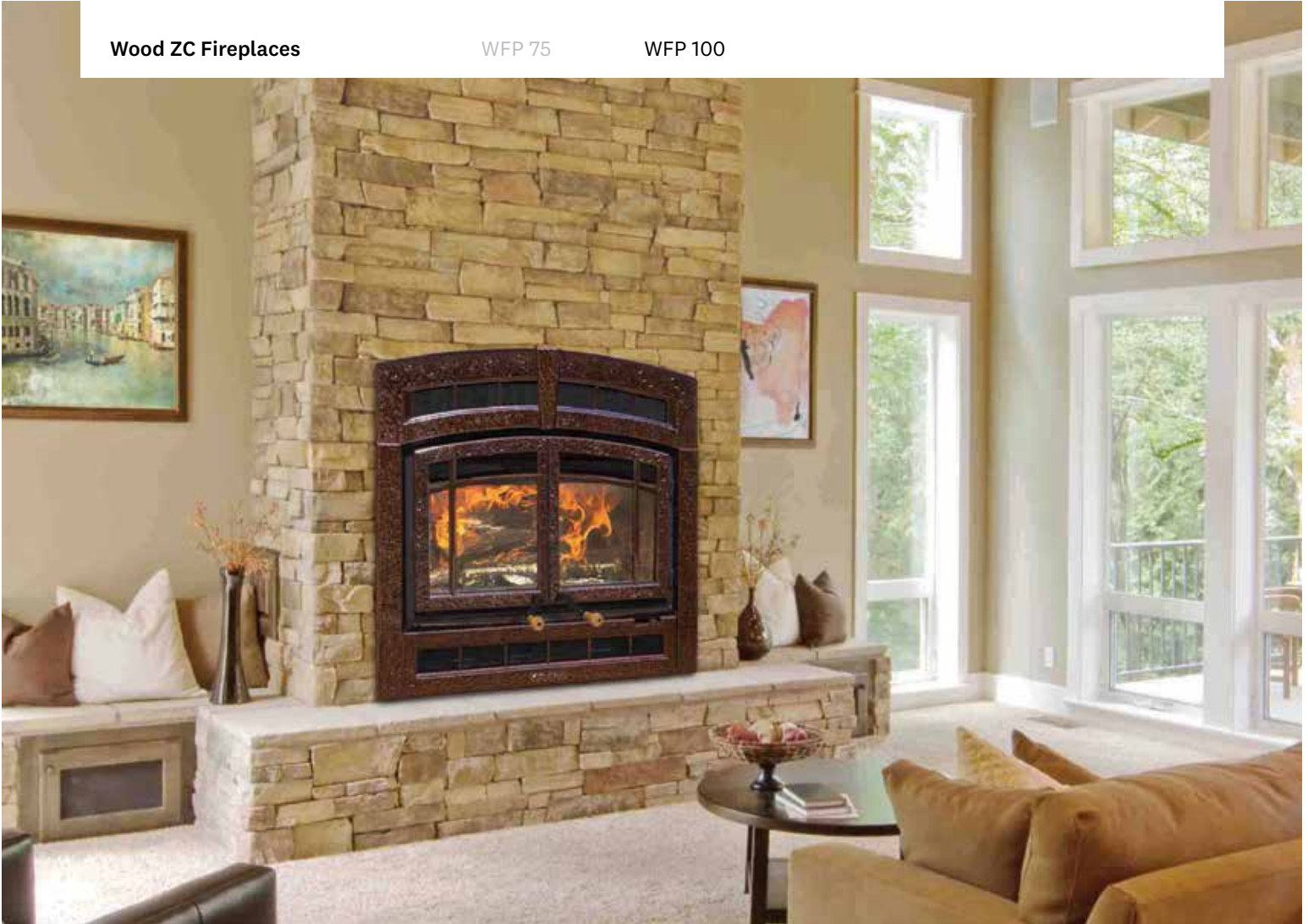
Our ZC fireplace is designed to be built near combustible materials. It takes up less space and is easier and less expensive to install when compared to traditional masonry fireplaces.

Clean burning + efficient

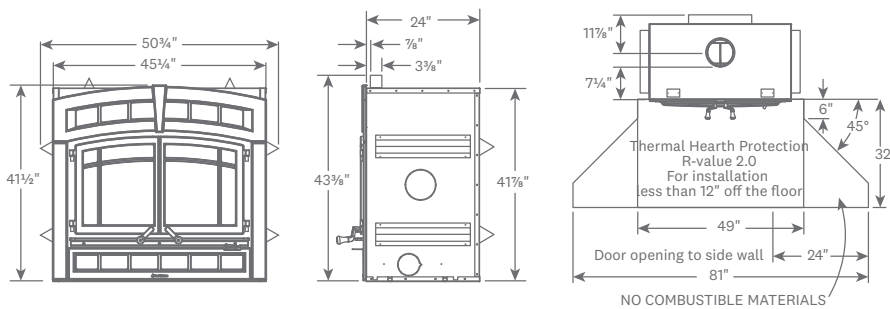
Our ZC wood fireplace exceeds 2020 EPA standards. It burns cleanly and efficiently to keep the heat in your home rather than wasting it up the chimney.

Cast iron design

The cast iron front of the WFP 100 is designed with double doors which offer a wide view of the clean and efficient fire.



Dimensions & Installation



Specifications

HHV Efficiency	64%
HeatLife™*	10 hours
EPA Certified	1.6 g/hr
Heats up to	2,800 sq ft
Firebox Capacity	4.28 cu ft
BTU	Up to 95,000
Maximum Log Length	25"
Flue Exit & Diameter	Top - 8"
Convection Blower	Included

Clearances

- Ceiling from bottom of fireplace: 84"
- Side trim from door opening: 8"
- Side wall from door opening: 24"

Finish Options



Matte Black



Brown Enamel

Accessories[†]

- Hot Air Circulation Kit
- Forced Hot Air Kit

[†] See the Accessories section at the end of the catalog for more information.

* Under the right conditions, you will be able to start a new fire with kindling up to the end of the product's HeatLife™.

Wood Cook Stove

Deva

Model 8220

A full service range powered by wood, the Deva is perfect for living off grid.



Features

Baking Oven

The ample oven is constructed from stainless steel, equipped with racks, visible and large enough to cook a 20 pound turkey.

Ceramic glass cook top

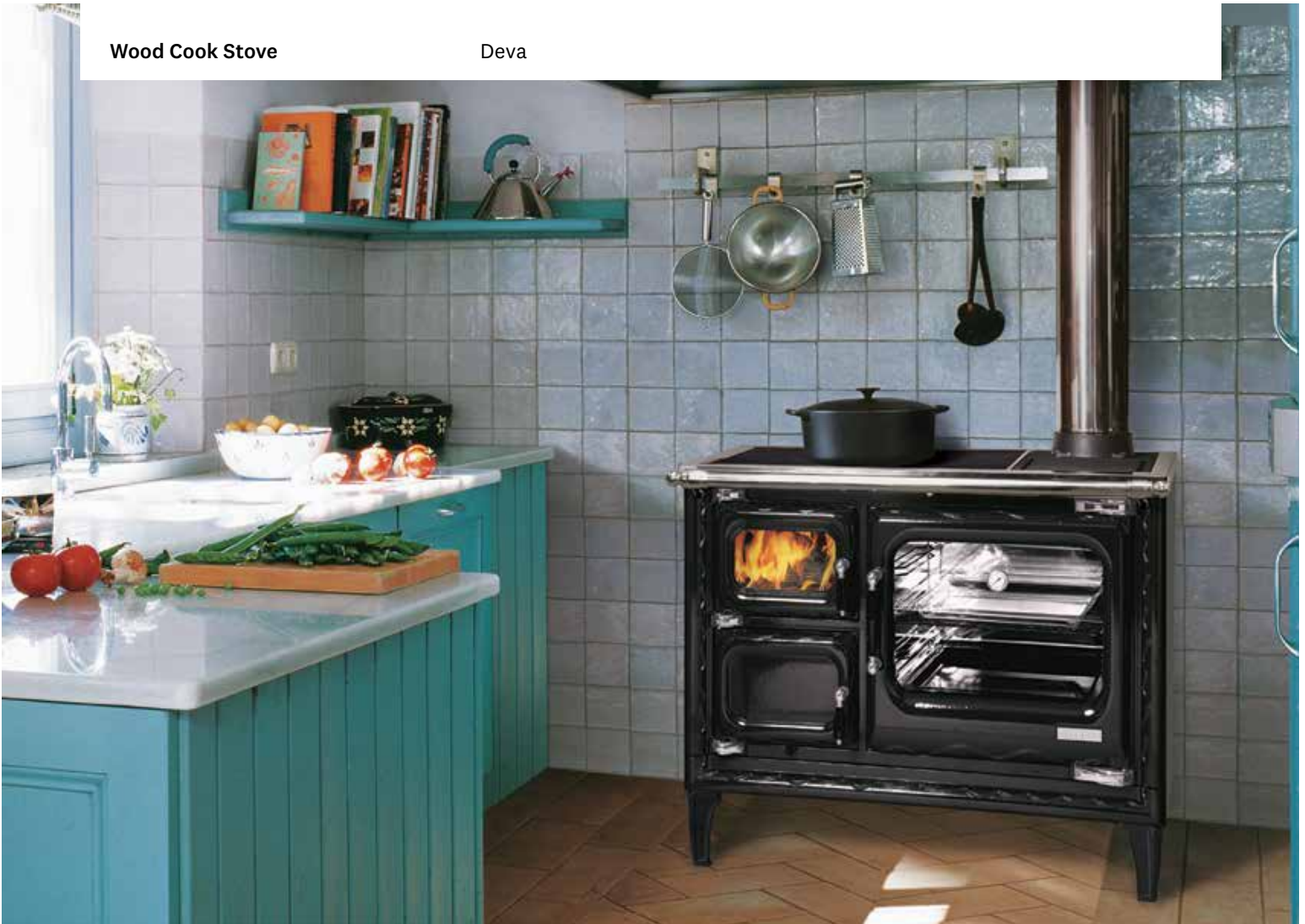
The ceramic glass cooking surface is easy to clean, scratch resistant, and spacious enough for a number of pots and pans.

Temperature control

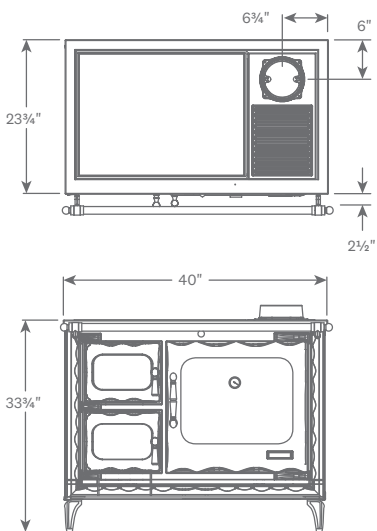
Keep a consistent temperature when baking by adjusting a simple control which regulates the amount of hot air circulating around the oven.

Wood Cook Stove

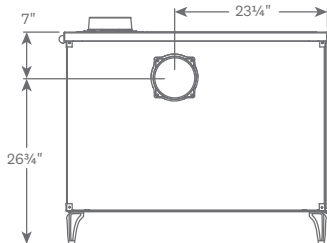
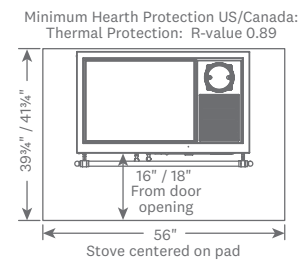
Deva



Dimensions



Hearth Protection



Specifications

Firebox Capacity	1.6 cu ft
BTU.....	Up to 46,000
EPA Rating.....	Exempt
Maximum Log Length	17"
Flue Exit & Diameter.....	Top or Rear - 6"
Oven Capacity.....	2.5 cu ft
Ash Pan	Included
Actual Weight	484 lbs

Finish Options



Black Enamel

Note: All information is for reference only. Refer to the owner's manual for full specification and installation details.

The Gas Family

Bristol DX Model 8763

The best looking cast iron gas stove available today.



Features

Style and Quality

Beautiful designs, careful craftsmanship and reliable technology. The quality of our products is displayed in the intricate details of the cast iron and the warm flickering glow of the fire.

Fully loaded convenience

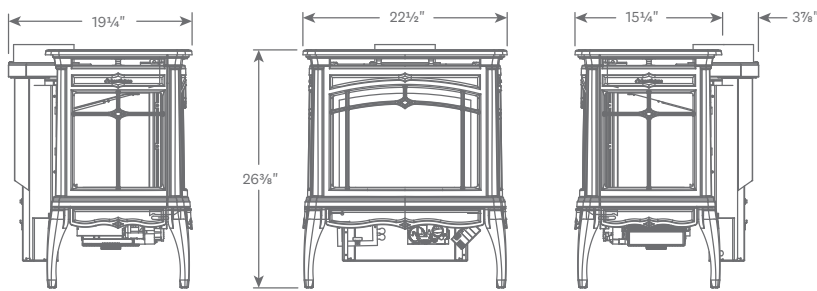
Our DX gas stoves include a built-in blower and thermostatic remote control. Adjust the fire, the room temperature, and the blower all from the comfort of your couch.

True efficiency

The Bristol includes a cast iron heat exchanger and a built-in blower to circulate more heat into your home.



Dimensions

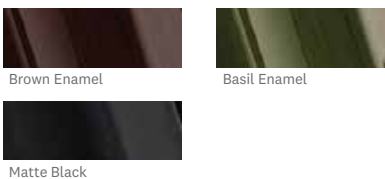


Clearances



Floor Protection:
Non-combustible surface or wood floor

Finish Options



Specifications

Heats up to.....	1,400 sq ft
Steady State Efficiency.....	73.2%
P.4.1.09 Efficiency.....	68.2%
Burn Rate Range NG	18k-26k BTU/hr
Burn Rate Range LP	16k-26k BTU/hr
Venting.....	Top, 4" x 6-5/8" DV
Ignition System.....	Maxitrol GV60
Burner	Ceramic Burner
Convection Blower.....	Included
Remote Control	Included
Safety Barrier Screens.....	Included
LP Conversion Kit	Included
Mobile Home Certified.....	Yes
Weight	170 lbs.

Accessories

Wall Touch Pad	7000-260
----------------------	----------

Note: All information is for reference only. Refer to the owner's manual for full specification and installation details.

The Gas Family

Waitsfield DX Model 8770

HearthStone's original classic three sided gas stove.



Features

A versatile heater

The Waitsfield DX presents a beautifully balanced fire at a wide range of operating levels. It has a 2-stage burner that let's you turn the stove up high or down low for more or less heat and light.

Easy, on-demand comfort

The Waitsfield DX includes an easy to use remote control. Turn the stove on, adjust the flame, set the room temperature, and adjust the blower to keep the room cozy.

Convective heat

The Waitsfield DX includes a cast iron heat exchanger and a built-in blower to distribute the heat around your room for comfort and lower energy costs.

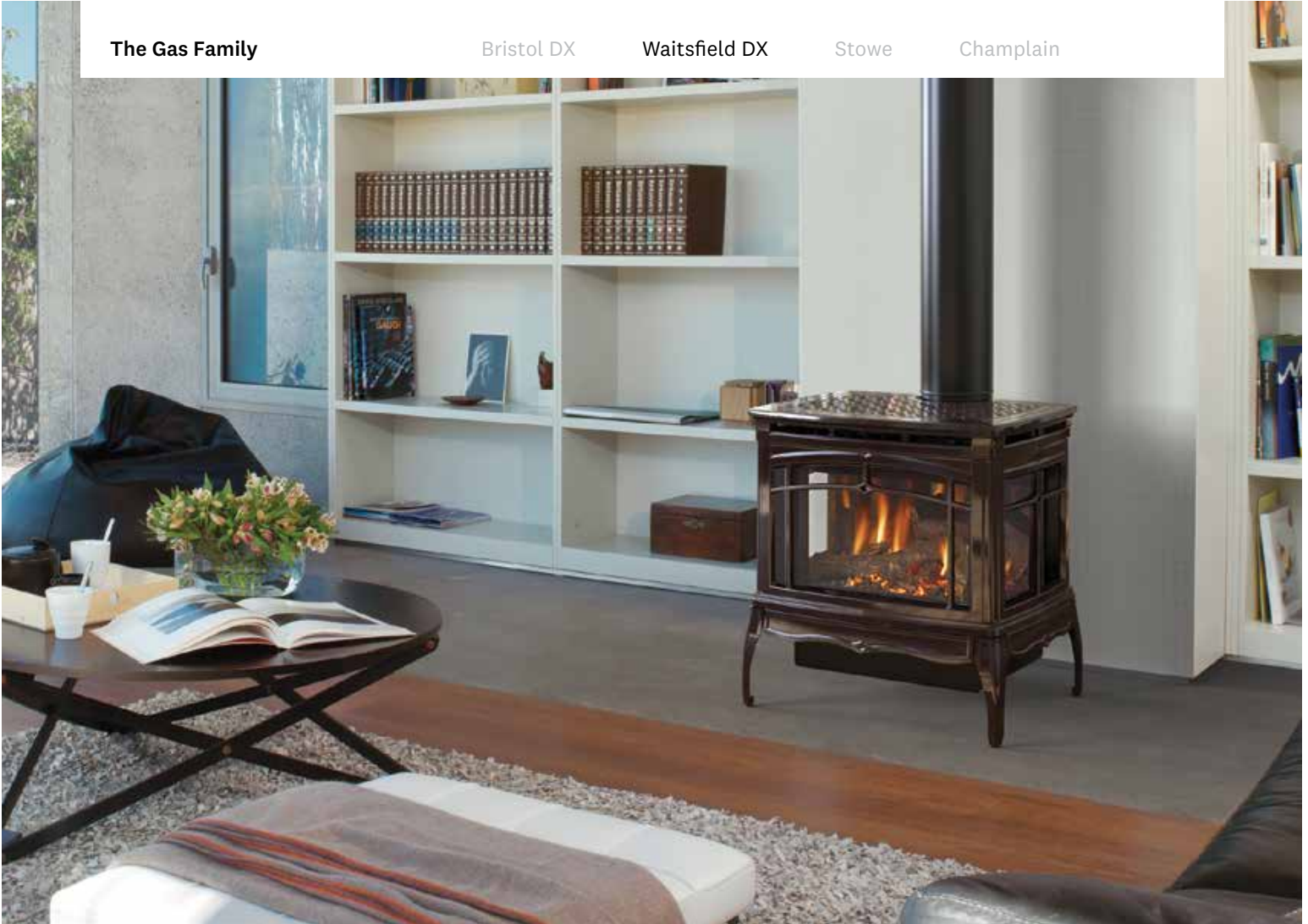
The Gas Family

Bristol DX

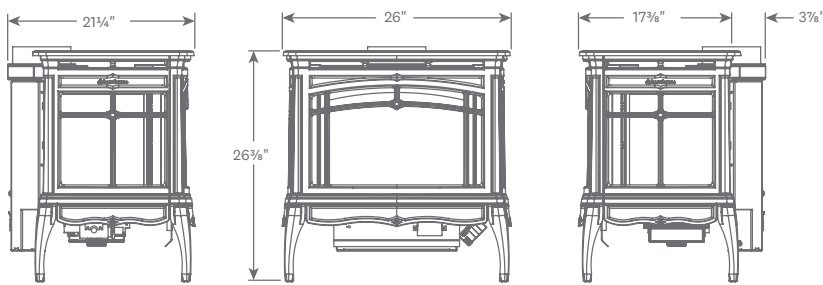
Waitsfield DX

Stowe

Champlain



Dimensions

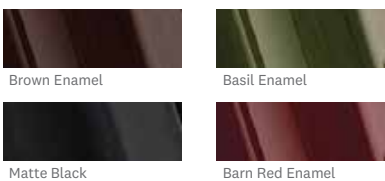


Clearances



Floor Protection:
Non-combustible surface or wood floor

Finish Options



Specifications

Heats up to.....	1,800 sq ft
Steady State Efficiency.....	77.4%
P.4.1.09 Efficiency.....	70.0%
Burn Rate Range NG	18k-37k BTU/hr
Burn Rate Range LP	16k-37k BTU/hr
Venting.....	Top, 4" x 6-5/8" DV
Ignition System.....	Maxitrol GV60
Burner	2-Stage Ceramic
Convection Blower.....	Included
Remote Control	Included
Safety Barrier Screens.....	Included
LP Conversion Kit	Included
Mobile Home Certified.....	Yes
Weight	215 lbs.

Accessories

Wall Touch Pad	7000-260
----------------------	----------

Note: All information is for reference only. Refer to the owner's manual for full specification and installation details.

The Gas Family

Stowe Model 8325

The Stowe is compact, easy to use, and reliable addition to your living space.



Features

Enameled cast iron

The small size and beautiful style of this cast iron stove inspired us to offer it in our unique oyster enamel, as well as our classic brown enamel and matte black.

Easy to use

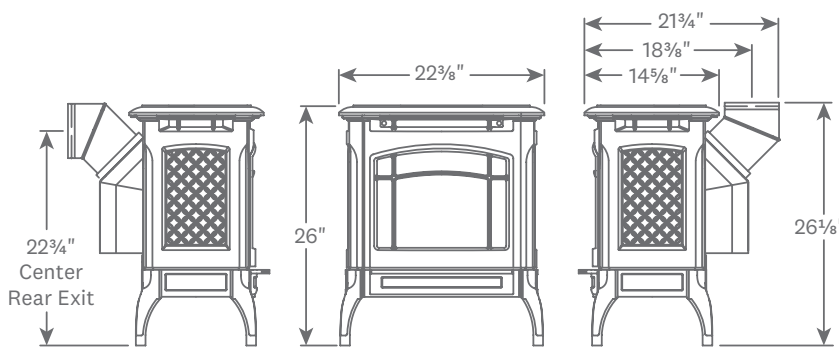
The Stowe 8325 maintains a standing pilot which will shut off after 7 days of inactivity. It can be run manually, with a standard or programmable thermostat, or with an optional remote control.

Efficiency you can feel

In addition to burning cleanly, the Stowe uses a cast iron heat exchanger to move the heat from the fire into your home, not up the chimney.



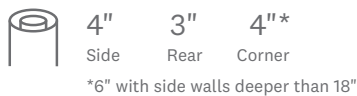
Dimensions



Specifications

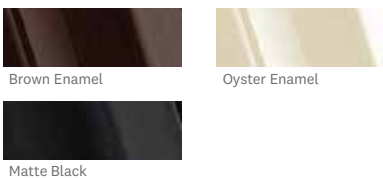
- Heats up to.....1,200 sq ft
- Steady State Efficiency.....80.1%
- P.4.1.09 Efficiency.....75.7%
- Burn Rate Range NG15k-22.4k BTUs/hr
- Burn Rate Range LP15k-22.4k BTUs/hr
- Venting.....45°, 4" x 6-5/8" DV
- Ignition System.....SIT 820, 7 day timeout
- BurnerCeramic Burner
- Convection Blower.....Optional
- Remote ControlOptional
- Safety Barrier Screens.....Included
- LP Conversion KitIncluded
- Mobile Home Certified.....Yes
- Weight155 lbs.

Clearances



Floor Protection:
Non-combustible surface or wood floor

Finish Options



Accessories

- Convection Blower.....93-57230
- Remote Control Kit.....90-56914

Note: All information is for reference only. Refer to the owner's manual for full specification and installation details.

The Gas Family

Champlain Model 8304

The Champlain will add a touch of classic style to your room.



Features

Artfully balanced fire

The Champlain gas stove has been carefully designed to present a balanced, gently flickering fire on both low and high settings.

Convenient control

The Champlain 8304 maintains a standing pilot which will shut off after 7 days of inactivity. It can be run manually, with a standard or programmable thermostat, or with an optional remote control.

True efficiency

The Champlain includes a cast iron heat exchanger above the fire. Natural convective airflow moves air through the vents of the stove to warm your room.

The Gas Family

Bristol DX

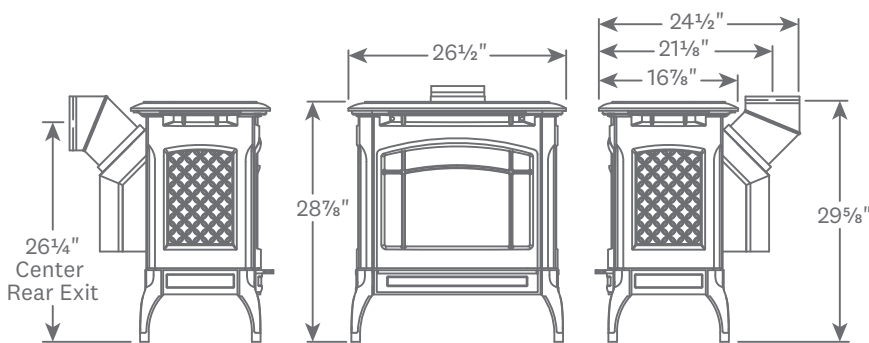
Waitsfield DX

Stowe

Champlain



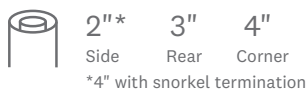
Dimensions



Specifications

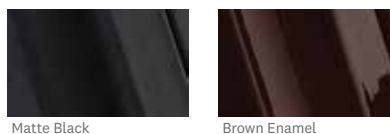
- Heats up to.....1,800 sq ft
- Steady State Efficiency74.6%
- P.4.1.09 Efficiency67.9%
- Burn Rate Range NG.....21k-35k BTUs/hr
- Burn Rate Range LP21k-35k BTUs/hr
- Venting45°, 4" x 6-5/8" DV
- Ignition System.....SIT 820, 7 day timeout
- Burner.....Pan Burner
- Convection Blower.....Optional
- Remote ControlOptional
- Safety Barrier Screens.....Included
- LP Conversion Kit.....Included
- Mobile Home Certified Yes
- Weight220 lbs.

Clearances



Floor Protection:
Non-combustible surface or wood floor

Finish Options



Accessories

- Convection Blower.....93-57020
- Remote Control Kit.....90-56914

Note: All information is for reference only. Refer to the owner's manual for full specification and installation details.

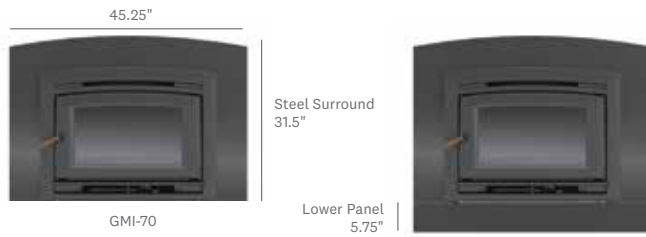
Accessories

Wood Fireplace Inserts



Surround Base Caps, Clydesdale 94-5970610/20
 The surround caps are an aesthetic addition to the surround that continue the lines of the ash lip. Made of cast iron and finished to match the insert, the caps attach to the surround with magnets.

Surround Extension, Clydesdale94-5970010
 The surround extension covers an additional 6 inches of space beyond the standard cast iron surround. It is made of extruded aluminum with a black finish and contoured to match the Clydesdale styling.



Steel Surround, GMI-70..... 94-5950110
 The steel surround panel attaches to the back of the cast iron faceplate.

Steel Surround, Lower Panel, GMI-7094-5970510
 The Surround Lower Panel adds a lower panel to complete a 4 sided surround. Use for elevated hearth installations.

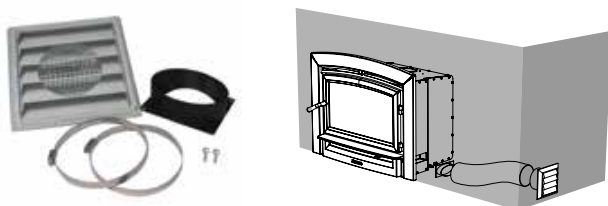


Steel Surround, GMI-90 94-5960010
 Steel surround, 3-piece assembly.

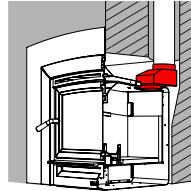
Surround Extension, GMI-70 94-5950010
Surround Extension, GMI-90..... 94-5960110
 The surround extension is installed between the cast iron faceplate and the steel surround, reducing the hearth depth required to install the fireplace insert.



Liner Hook-Up Starter Collar 94-67500
 The Liner Hook-Up Starter Collar connects to your chimney liner before you install the insert in the fireplace. It can then be easily and safely secured to the insert after the insert is placed in the fireplace, making the whole installation process easier.



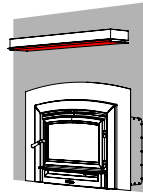
Outside Air Adapter, GMI-70, GMI-90..... 94-53500
 Connect an outside air source directly to your fireplace insert. Recommended for air tight homes. 5 inch flexible pipe not included.



Offset Liner Adapter, GMI-90, GMI-70..... 5700-007
 The offset adapter moves the connection point between the insert and the chimney liner up to 6 inches back.



Mantel Shield



Mantel Shield..... 94-79700
 The mantel shield attaches to bottom of a combustible mantel to reduce clearances per NFPA 211 standards. Attach to the mantel with screws and ceramic spacers. 48 inches wide. It can be cut to fit specific installations.



Fire Screen, GMI-70



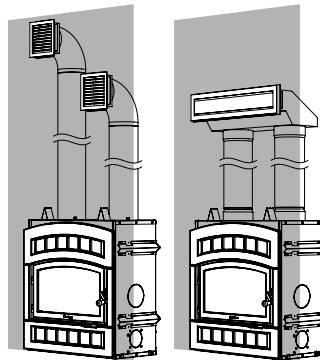
Fire Screen, GMI-90, WFP-75

Fire Screen, GMI-70.....94-69500
Fire Screen, GMI-9094-69600
Fire Screen, WFP-75..... 94-69110
 The Fire Screen allows the user to burn the fireplace with the door open to enjoy the direct fire.

Wood Zero Clearance Fireplaces



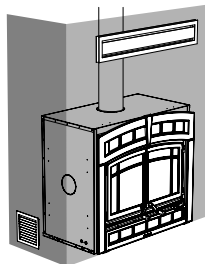
Modern Kit



Modern Kit

Hot Air Distribution Kit, WFP-75 94-99100
 Two hot air vents are piped from the fireplace and use the built-in fireplace blower to move hot air into the room. The vents can be placed independently in other rooms if desired.

Hot Air Distribution Kit, Modern, WFP-75 ... 94-99110
 One linear vent is piped from the fireplace and uses the built-in fireplace blower to move hot air into the room. The vent must be installed directly above the fireplace.



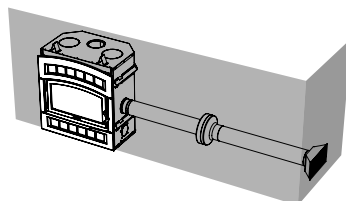
Hot Air Circulation Kit, WFP-100..... 94-99200
 The kit includes two vents which encourage air movement through the wall cavity where the fireplace is installed, moving warm air into the room. The vents allow the flow of ambient air. They are not connected to the fireplace.



WFP-75



WFP-100



Forced Hot Air Kit, WFP-7594-57110
Forced Hot Air Kit, WFP-100 94-57200
 The forced hot air kit uses a blower to move hot air from the fireplace to other areas of the house. It can be connected to either side of the fireplace. Insulated pipe with a maximum run of 50 feet is recommended.

Accessories

Wood Stoves



Rear Heat Shield, Lincoln90-68601

Side Heat Shield, Lincoln..... 90-68605

The rear heat shield clips onto the back of the stove. The side heat shield clips onto either the left side, right side, or both sides of the stove. Heat shields can be installed individually to reduce the required distance between the stove and the wall being shielded.



Rear Heat Shield, Castleton..... 90-68300

Rear Heat Shield, Heritage, Mansfield90-68210

The rear heat shield screws to the back of the stove, reducing the required distance between the stove and the wall behind it. The heat shield also provides attachment for the convection blower, sold separately.



Convection Blower, Castleton, Heritage, Mansfield 90-57210

The convection blower moves air up and across the stove to circulate more heat into your room. A snap switch turns the blower on automatically. Adjust the rheostat to control the speed of the blower or turn it off.



Convection Blower w/ Rear Heat Shield 96-57400

Craftsbury, Shelburne, GM40, GM60

The convection blower moves air up and across the stove to circulate more heat into your room. A snap switch turns the blower on automatically. Adjust the rheostat to control the speed of the blower or turn it off. The rear heat shield screws to the back of the stove, reducing the required distance between the stove and the wall behind it and channeling the air from the blower.



Convection Blower w/ Rear Heat Shield, GM80 96-57800

The convection blower moves air up and across the stove to circulate more heat into your room. A snap switch turns the blower on automatically. Adjust the rheostat to control the speed of the blower or turn it off. The rear heat shield screws to the back of the stove, reducing the required distance between the stove and the wall behind it, and channeling the air from the blower.



Close Clearance Heat Shield, Manchester 93-68600

The close clearance heat shield clips onto the built-in cast iron heat shield and covers the rear flue cap to reduce rear clearances with vertical pipe installations.



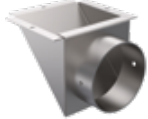
Convection Blower, Manchester93-57600

The Manchester includes a built-in cast iron rear heat shield. The convection blower mounts below the stove to blow air up inside the heat shield and across the top heat exchangers. A snap switch turns the blower on automatically. Adjust the rheostat to control the speed of the blower or turn it off.



Ash Pan, Heritage, Mansfield 90-54240

Access the ash pan below the ash lip to remove ashes without shoveling through the front door. Shaker grates let ashes fall through to the ash scoop inside the ash pan. The ash pan bolts into the bottom of the firebox.



Outside Air Starter Kit, 3" 96-53400

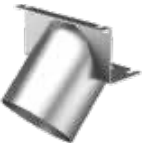
Fits the Lincoln, Craftsbury, Shelburne, GM40, GM60, GM80

Bring air into your stove from outside of your house to ensure proper combustion and keep more heat in your home. Recommended for newer well-sealed homes. 3" ducting not included.



Outside Air Adapter, 3", Castleton..... 90-53300

Bring air into your stove from outside of your house to ensure proper combustion and keep more heat in your home. Recommended for newer well-sealed homes. 3" ducting not included.



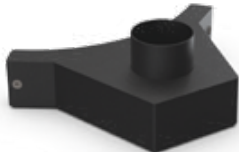
Outside Air Adapter, 3", Heritage, Mansfield90-53220

Bring air into your stove from outside of your house to ensure proper combustion and keep more heat in your home. Recommended for newer well-sealed homes. 3" ducting not included.



Outside Air Adapter, Manchester93-53500

Bring air into your stove from outside of your house to ensure proper combustion and keep more heat in your home. Recommended for newer well-sealed homes. 3" ducting not included.



Outside Air Adapter, Bari, Bari Plus 91-53712

Bring air into your stove from outside of your house to ensure proper combustion and keep more heat in your home. Recommended for newer well-sealed homes. 3" ducting not included.



Outside Air Increaser, 3" to 4" 90-53308

Use the increaser for longer outside air pipes to make sure enough fresh air is reaching your stove.



Draft Inducing Flue Collar..... 90-99099

Recommended for installations with poor draft, the draw collar heats up your chimney to ensure a proper draft. Fits 6" flue.



Draft Meter 90-99000

Recommended for wood stoves installations, the draft meter allows you to measure the draft in your chimney. Proper draft is necessary for clean and efficient wood burning.



Stove Top Thermometer 90-99120

Recommended for soapstone stoves, the stove top thermometer helps you keep your stove burning within the optimal temperature range for safe and efficient heating.

Accessories

Wood Stoves



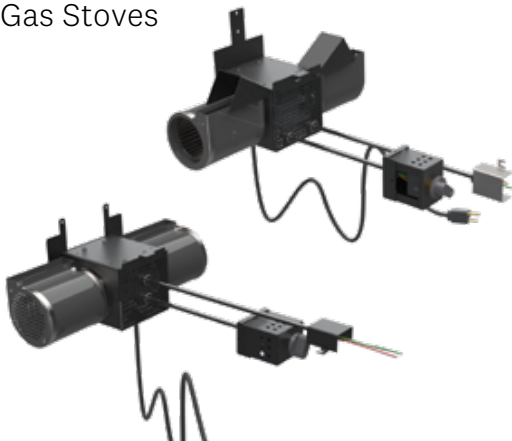
Soapstone Steamer.....90-99112

Recommended for all wood burning stoves, the steamer adds moisture to the air to help balance the drying effects of a wood fire. Just fill the steamer pot with water and set it on your stove. They're great for aromatherapy too. Simply add some essential oils or fragrant herbs to the water.

Leather Safety Gloves.....90-99031

Durable and dependable, our leather safety gloves are thick and protective, with a soft inner lining. One size fits all.

Gas Stoves



Convection Blower, Champlain93-57020

The convection blower mounts below the stove to blow air up through the stove body and across the top heat exchanger, moving more heat into your room. A snap switch turns the blower on automatically. Adjust the rheostat to control the speed of the blower or turn it off.

Convection Blower, Stowe93-57230

The convection blower mounts below the stove to blow air up through the stove body and across the top heat exchanger, moving more heat into your room. A snap switch turns the blower on automatically. Adjust the rheostat to control the speed of the blower or turn it off.

Remote Control Kit, Stowe, Champlain90-56914

This remote allows the user to manually turn the unit on and off and also has a thermostat mode which controls the on / off operation of the unit automatically. The system is battery operated and controls the stove by RF (radio frequency) signal.

Wall touch pad, Bristol, Waitsfield..... 7000-260

The wall touch pad and be installed on a wall to turn your stove on/off and adjust the flame height. This accessory works with all of our stoves that use the Maxitrol GV60 ignition system.



Finishes and Paint

Keep your stove or fireplace looking shiny and new.

Choose from matte black spray cans for cast iron parts, filler and touch-up paint to match enamel, charcoal spray cans for HASE steel products, and gas vent pipe paint to match your stove.



Tempered Glass Hearth Pad, Circular, Diameter: 35½"91-84800

Tempered Glass Hearth Pad, D-Shaped, 33½" x 43½" 91-84750

Tempered Glass Hearth Pad, Square, 39½" x 39½"91-84400

Tempered Glass Hearth Pad, Semi-Circular, 55" x 43¼" 91-84700

Specifications : Wood stoves

		Lincoln 8060	Castleton 8031	Heritage 8024	Mansfield 8013	Craftsbury 8392	Shelburne 8372
Specifications							
Firebox capacity (1)		1.0 cf	1.9 cf	2.2 cf	3.2 cf	1.32 cf	2.0 cf
Maximum log length		18" (16" rec'd)	18"	21"	21"	16"	18"
Flue exit & diameter		top - 6"	top / rear [†] - 6"	top / rear [†] - 6"	top / rear [†] - 6"	top / rear [†] - 6"	top / rear [†] - 6"
Ash pan		n/a	n/a	optional	optional	n/a	n/a
Convection Blower		n/a	optional	optional	optional	optional	optional
Mobile-home certified		yes	yes	yes	yes	yes	yes
Alcove certified (2)		yes	yes	yes	yes	yes	yes
Actual weight (lbs)		195	475	535	605	350	385
Shipping weight (lbs)		435 [~]	520	580	650	375	430
Performance							
Combustion technology		TruHybrid	TruHybrid	TruHybrid	TruHybrid	TruHybrid	TruHybrid
Efficiency HHV (4)		78.5%	77.3%	77%	78%	79%	79%
HeatLife™ up to (6)		9.5 hours	20 hours	25 hours	30 hours	16 hours	24 hours
EPA Certified		1.14 g/hr	0.98 g/hr	0.54 g/hr	0.54 g/hr	1.07 g/hr	0.6 g/hr
Heating capacity up to (5)		575 sq. ft.	1,500 sq. ft.	2,000 sq. ft.	2,500 sq. ft.	1,400 sq. ft.	2,000 sq. ft.
BTUs (3)		23,000	45,000	60,000	80,000	40,000	60,000
Clearances (7)							
Side of stove to side wall	S	22"	17"	16" *	23"	14"	13"
	D	9"	17"	16" *	23"	14"	13"
Back of stove to back wall	S	see note *	15" *	16"	19"	13¾"*/ 16"§	11"*/ 17½"§
	D	3.5"	8"	6"	6"	9¾"	5"
Corner of stove to side wall	S	see note *	8"	8" *	14"	7" / 14"§	7" / 10"§
	D	7.25"	8"	8" *	14"	7"	7"
Minimum hearth pad size US inches (9)		27.5" W x 37.5" D	31½" W x 37" D	47" W x 39" D	34" W x 40" D	31½" W x 33" D	33¾" W x 33½" D
Minimum hearth pad size Canada inches (9)		30" W x 47.5" D	41" W x 47" D	50½" W x 42" D	41" W x 49½" D	40" W x 43" D	42" W x 43½"
Minimum Hearth Protection		Ember Protection	Ember Protection	Ember Protection	Ember Protection	Ember Protection	Ember Protection

S Single-wall pipe, no heat shield

D Double-wall pipe, w/ rear heat shield

* Applies to the side/corner opposite the side load door. If the side door lock kit is installed, side/corner clearance applies to both sides/rear corners.

† Refer to the owner's manual for rear exit requirements.

§ No rear heat shield. (Included rear heat shield removed)

~ Lincoln stoves ship 2 per pallet.

Note: Always refer to the HearthStone Owner's Manual and the local authority having jurisdiction in your area for the specific installation requirements for your product.

* Note: Reference your pipe manufacturer's clearances as well as local building codes to ensure a safe installation. Single-wall connector pipe generally requires 18 inches of clearance.

Specifications : Wood stoves

		Manchester 8362	GM40 8640	GM60 8660	GM80 8680	Bari 8171	Bari Plus 8172
Specifications							
Firebox capacity (1)		2.45 cf	1.32 cf	2.0 cf	3.1 cf	1.25 cf	1.25 cf
Maximum log length		24"	16"	18"	23"	--	--
Flue exit & diameter		top / rear* - 6"	top - 6"	top - 6"	top - 8"	top - 6"	top - 6"
Ash pan		included	n/a	n/a	n/a	included	included
Convection Blower		optional	optional	optional	optional	n/a	n/a
Mobile-home certified		yes	yes	yes	yes	USA - yes Canada - no	USA - yes Canada - no
Alcove certified (2)		yes	yes	yes	yes	yes	yes
Actual weight (lbs)		520	350	405	550	310	425
Shipping weight (lbs)		555	375	450	575	375	490
Performance							
Combustion technology		TruHybrid	TruHybrid	TruHybrid	TruHybrid	TruHybrid	TruHybrid
Efficiency HHV (4)		78%	79%	79%	81%	76%	76%
HeatLife™ up to (6)		30 hours	16 hours	24 hours	30 hours	14 hours	16 hours
EPA Certified		0.65 g/hr	1.07 g/hr	0.6 g/hr	0.7 g/hr	0.94 g/hr	0.94 g/hr
Heating capacity up to (5)		2,400 sq. ft.	1,400 sq. ft.	2,000 sq. ft.	2,500 sq. ft.	1,400 sq. ft.	1,400 sq. ft.
BTUs (3)		75,000	40,000	60,000	80,000	35,000	35,000
Clearances (7)							
Side of stove to side wall	S	18 *	14"	13"	13"	38" * / 13" *	38" * / 13" *
	D	16 *	14"	13"	13"	38" * / 13" *	38" * / 13" *
Back of stove to back wall	S	16	13¾" * / 16" §	11" * / 17½" §	8" *	13" * / 11" * *	13" * / 11" * *
	D	6 (8)	9¾"	5"	5"	13" * / 11" *	13" * / 11" *
Corner of stove to side wall	S	9 *	7" / 14" §	7" / 10" §	7"	10" * *	10" * *
	D	9 *	7"	7"	7"	10" *	10" *
Minimum hearth pad size US inches (9)		48" W x 36¾" D	31½" W x 33" D	33¾" W x 33½" D	41½" W x 40" D	51" W x 39½" D	51" W x 39½" D
Minimum hearth pad size Canada inches (9)		56" W x 44" D	40" W x 43" D	42" W x 43½" D	45" W x 50" D	55" W x 43½" D	55" W x 43½" D
Minimum Hearth Protection		Ember Protection	Ember Protection	Ember Protection	Ember Protection	Ember Protection	Ember Protection

§ No rear heat shield.
(Included rear heat shield removed)

* Bari / Bari Plus: stove free to rotate

* Bari / Bari Plus: stove locked in position

§ No rear heat shield. (Included rear heat shield removed)

* Note: Reference your pipe manufacturer's clearances as well as local building codes to ensure a safe installation. Single-wall connector pipe generally requires 18 inches of clearance.

Note: Always refer to the HearthStone Owner's Manual and the local authority having jurisdiction in your area for the specific installation requirements for your product.

Specifications : Wood Fireplaces & Inserts

	Clydesdale 8492	GMI 90 8460	GMI 70 8450	WFP 75 8411	WFP 100 8420
SPECIFICATIONS					
Firebox capacity (1)	2.4 cu. ft.	2.5 cu. ft.	2.4 cu. ft.	2.5 cu. ft.	4.28 cu. ft.
Maximum log length	22"	20"	20"	20"	25"
Flue exit & diameter	top - 6"	top - 6"	top - 6"	top - 6"	top - 8"
Ash pan	n/a	n/a	n/a	n/a	n/a
Convection Blower	included	included	included	included	included
Mobile-home certified	no	no	no	no	no
Alcove certified (2)	no	no	no	no	no
Actual weight (lbs)	550	440	428	400	665
Shipping weight (lbs)	585	475	484	-	-
PERFORMANCE					
Combustion technology	TruHybrid	Non-catalytic	Non-catalytic	Non-catalytic	Non-catalytic
Efficiency HHV (4)	79%	64%	69%	64%	64%
HeatLife™ up to (6)	24 hours	8 hours	10 hours	8 hours	10 hours
EPA Certified	1.16 g/hr	1.22 g/hr	1.54 g/hr	1.22 g/hr	1.6 g/hr
Heating capacity up to (5)	2,000 sq. ft.	2,200 sq. ft.	2,000 sq. ft.	2,200 sq. ft.	2,800 sq. ft.
BTUs (3)	60,000	80,000	70,000	80,000	95,000
CLEARANCES (7)					
Door opening to side wall	15 ⁵ / ₈ "	19"	16"	13"	24"
Mantel height	39 ¹ / ₂ " §	40 ³ / ₄ " §	50" §	58" §	N/A
Minimum fireplace opening	23 ³ / ₄ " H x 32 ¹ / ₂ " W x 13" D	27 ¹ / ₈ " H x 31 ³ / ₄ " W x 22 ¹ / ₈ " D ¶¶	24" H x 29" W x 20" D ¶	N/A	N/A
Minimum hearth pad size US inches (9)	38" W x 16" D	41 ¹ / ₂ " W x 16" D	36" W x 16" D	41 ¹ / ₂ " W x 16" D	49" W x 32" D
Minimum hearth pad size Canada inches (9)	47" W x 18" D	48" W x 18" D	43" W x 18" D	41 ¹ / ₂ " W x 18" D	49" W x 32" D
Minimum Hearth Protection	Hearth less than 7" tall: R-value 1.5	Noncombustible ember protection only	Hearth less than 5" tall: R-value 1.0	Hearth 4" or less below fireplace: R-value 1.0	R-value 2.0 if less than 12" from the floor

§ From bottom of product
 ¶ 16 inches with optional surround extension
 ¶¶ 18¹/₂ inches with optional surround extension

Note: Always refer to the HearthStone Owner's Manual and the local authority having jurisdiction in your area for the specific installation requirements for your product.

Specifications : Gas stoves

	Waitsfield DX 8770	Bristol DX 8763	Champlain 8304	Stowe 8325
Specifications				
Venting	Top, 4" x 6 ⁵ / ₈ " DV	Top, 4" x 6 ⁵ / ₈ " DV	45°, 4" x 6 ⁵ / ₈ " DV	45°, 4" x 6 ⁵ / ₈ " DV
Venting: Minimum Vertical Rise	36 in. (from top of stove)	24 in. (from top of stove)	24 in. see owner's manual	9 in.
Ignition System	Maxitrol GV60 on-demand pilot	Maxitrol GV60 on-demand pilot	SIT 820 Nova 7 day timeout	SIT 820 Nova 7 day timeout
Burner	2-Stage Ceramic	Ceramic	Stainless steel pan	Ceramic
On-Off Switch	On-Off-Remote	On-Off-Remote	yes	yes
Remote Control	Included	Included	no	no
Convection Blower 110 CFM	Included	Included	Optional	Optional
Safety Barrier Screens	Included	Included	Included	Included
LP Conversion Kit *	Included	Included	Included	Included
Mobile-home certified	Yes	Yes	Yes	Yes
Actual weight (lbs)	215	170	220	155
Performance				
Heating capacity up to (12)	1,800 sq. ft.	1,400 sq. ft.	1,800 sq. ft.	1,200 sq. ft.
Burn Rate Range NG (BTUs/hr)	18,000 to 37,000	18,000 to 26,000	21,000 to 35,000	15,000 to 22,400
Burn Rate Range LP (BTUs/hr)	16,000 to 37,000	16,000 to 26,000	23,000 to 35,000	15,000 to 22,400
Steady State Efficiency (11)	77.4% NG 77.4% LP	73.2% NG 73.2% LP	74.6% NG 74.6% LP	80.1% NG 80.1% LP
P.4.1.09 Fireplace Efficiency (10)	70.0% NG / LP	68.2% NG / LP	67.9% NG / LP	75.7% NG / LP
Clearances (13)				
Side	16"	10"	2", 4" with snorkel	4" **
Rear	2"	2"	3"	3"
Corner	11"	4"	4"	4"
Hearth Protection	Non-combustible sur- face or wood floor	Non-combustible sur- face or wood floor	Non-combustible sur- face or wood floor	Non-combustible sur- face or wood floor

* All products ship ready to burn natural gas.

** 6"with side walls deeper than 18"

Note: Always refer to the HearthStone Owner's Manual and the local authority having jurisdiction in your area for the specific installation requirements for your product.

Specifications : Reference information

Gas



(10) P.4.1.09 Fireplace Efficiency informs the Canadian **EnerGuide** rating. **EnerGuide** is a Government of Canada rating system that provides consumers with comparative information on the energy performance of energy-using products sold in Canada.

For more information on the **EnerGuide** Program, please visit the **EnerGuide** Web site: oee.nrcan.gc.ca/equipment

(11) Steady state efficiencies vary dependent upon installation, venting configuration, altitude, gas values, and other installation variables.

(12) Heating capacity is an approximation dependent upon floor plan, ceiling height, house construction, venting configuration, heat loss, and geographic location of home.

(13) All measurements are taken from the closest surface of the unit. Clearances in this catalog are for reference only. Refer to Owner's Manual for exact specifications prior to installation.

Wood

(1) The amount and weight of wood contained per cubic foot of firebox volume can vary from 15 to 36 lbs. per cubic foot depending on type of wood, moisture content, packing density, and other factors. As a constant for comparison and test purposes, we are assuming 20 lbs. of seasoned hardwood per cubic foot of firebox volume.

(2) See Owner's Manual for specific alcove clearances and alcove hearth pad requirements.

(3) Heat output will vary depending on frequency of loading, the dryness and quality of wood used, packing density, and other installation variables.

(4) Notes on HHV efficiency: HHV efficiency is published by the EPA on the Certified Wood Heater Database*. HearthStone publishes Higher Heating Value (HHV) efficiency percentages. These HHV values are LOWER than LHV by 5-7%, yet many manufactures choose to publish the LHV percentages to improve their appearance. LHV is used by the IRS to qualify products for tax credits. When comparing products, make sure you're comparing LHV to LHV or HHV to HHV.

* <https://cfpub.epa.gov/oarweb/woodstove/index.cfm?fuseaction=app.search>

(5) Heating capacity is an approximation dependent upon type of wood, loading configuration, floor plan, ceiling height, house construction, venting configuration, heat loss, geographic location of home, and other usage and regional variables.

(6) HeatLife™ is a trademark of HearthStone Quality Home Heating Products and is defined as the quantity of heat stored within the thermal mass of the stove. Used here, it refers not just to burn time but to total hours of usable heat from a single load of fuel.

(7) Clearances on this page are for reference only. Refer to the Owner's Manual for exact specifications prior to installation.

(8) The Manchester rear heat shield is built in; there is an optional Close Clearance heat shield which may further reduce rear clearances to 6".

(9) See Owner's Manual for specific hearth material and R-value requirements.



www.hearthstonestoves.com

Hearthstone Quality Home Heating Products, Inc.
317 Stafford Avenue, Morrisville Vermont 05661 USA